



Assembly · Industrial · Precision Fastening · Automation

HIOS BL Series Operational Manual

Important: Please read and save the operating instructions.

Warning: When using electric tools, the following basic safety precautions should always be adhered to in order to reduce the risk of fire, electric shock, or personal injury.

Precautions

1. **Keep Work Area Clean:** Cluttered areas and benches can result in injuries.
2. **Consider Work Area Environment:** Do not expose tools to rain. Do not use tools in damp or wet locations. Keep work area well lit. Never use the tool in an area with dangerous objects present. (gasoline, benzene, thinner, gas glue, metallic objects, etc.)
3. **Secure Work:** Use clamps or a vice to hold work piece.
4. **Guard Against Electric Shock:** Prevent body contact with grounded surfaces.
5. **Keep Away From Children and Unauthorized Personnel:** Do not allow children or unauthorized personnel to use the tool.
6. **Store Idle Tools:** When not in use, tools should be stored in a dry and high or locked-up place.
7. **Remove Adjusting Keys And Wrenches:** Make a habit of checking to see that keys and adjusting wrenches are removed from the tool before turning it on.
8. **Use The Correct Tool:** Use the tool for the correct work for its rated power and design.
9. **Dress Properly:** Do not wear loose clothing or jewelry as they can be caught in moving parts. Wear protective head wear to contain long hair.
10. **Use Safety Glasses:** Also use a face or dust mask if the operation involves dust.
11. **Do Not Abuse The Cord:** Never carry the tool by its cord or pull it to disconnect from the power outlet. Keep the cord away from heat, oil, and sharp edges.
12. **Do Not Overreach:** Maintain proper footing and balance at all times.
13. **Maintain Tools With Care:** Keep tools clean for better and safer performance. Follow instructions for lubricating and changing accessories. To use the tool for an extended period of time safely, perform periodical inspections on the tool and if damaged, contact ASG. Keep hands dry, clean, and free from oil and grease. Inspect extension cords periodically and replace if damaged.
14. **Disconnect Tools:** When the tool is not in use, such as attaching and removing the bit, changing the Carbon Brush, inspection or cleaning, disconnect the tool from the power outlet.
15. **Avoid Unintentional Starting:** Ensure that the switch is off when plugging in. Do not carry the tool with finger on the switch.
16. **Stay Alert:** Always remain vigilant, use common sense, and do not operate the tool when you are tired.
17. **Check Damaged Parts:** Before using the tool, a damaged protective cover or other parts should be carefully checked to determine whether the tool will operate correctly and perform as designed.
18. **Ground the tool.**
19. It only takes a slight amount of pressure for a push-to-start tool

to go into operation.

Cautions in Operation

1. If there are any problems, do not disassemble the tool. Stop operations and contact ASG immediately.
2. Never lubricate the tool with aerosol oil or similar lubricants.
3. Do not drop, hit, or abuse the tool.
4. Never use chemicals to wipe the body cover
5. Use only the correct voltage.
6. Do not pull the AC cord when unplugging from the power outlet. Grasp the plug.
7. For safety use, do not set the torque adjusting nut higher than 10 on the torque adjusting scale
8. Use the tool intermittently: (Example: 0.5 seconds ON, 4.5 seconds OFF)
9. Do not tighten more than 720 tapping screws in an hour.
10. This tool is not for tightening wood screws
11. Set the power switch to OFF before putting the tool in reverse.
12. If the tool is not being used, turn the tool off and unplug the AC cord plug.
13. In push-to-start mode the driver automatically goes on when pressure is applied to the bit end.
14. In push-to-start mode do not raise the driver from the screw head until rotation has stopped

Grounding Instructions

The tool should be grounded while in use to protect the operator from electric shock.

Operating Procedure

1. Use the torque adjustment nut to select the desired output setting.
2. Attach the bit to the screwdriver
3. Turn the FOR/REV switch to OFF and connect the driver plug to an AC power outlet.
4. Turn the switch to either FOR or REV to start the screwdriver.
5. Operate the clutch until the screw is tightened to the set torque value.
6. Always turn the power off before reversing the rotation direction setting.
7. When loosening a tightened screw, turn the FOR/REV switch to REV and loosen in the reverse direction.

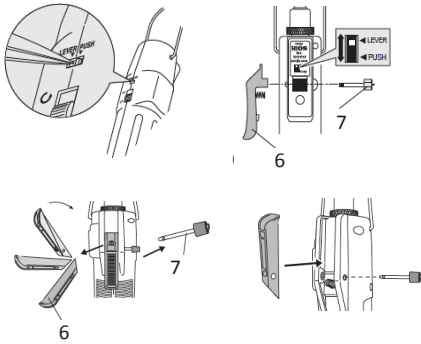


HIOS BL Series Operational Manual

Assembly · Industrial · Precision Fastening · Automation

Push-to-Start Mode:

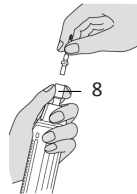
- BL-3000: Use tweezers to switch lever start to push-to-start
- BL-5000: Rotate the hex head screw to detach the switch lever and set the start switch to the push position. Use it without attaching the hex head screw and the switch lever.
- BL-7000: Rotate the hex head screw to detach the switch lever and reattach the switch lever upside down.



6	Switch Lever
7	Hex Head Screw

Attaching a Bit

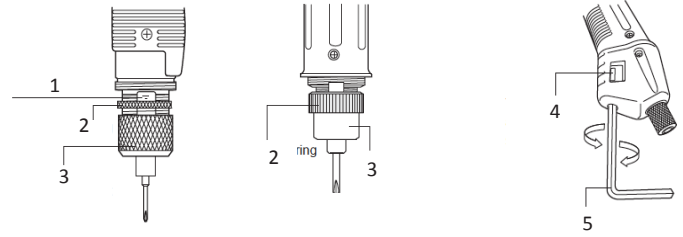
- Caution: When attaching the bit, always ensure that the driver FOR/OFF/REV switch is set to OFF or that the driver power plug has been removed from the AC power outlet.
- Use the correct bit size. To install the bit, push or pull the joint shaft collar at the end of the driver upwards and insert the bit. Check that the bit does not come loose after you have inserted it.



8	Joint Shaft Collar
---	--------------------

Torque Adjustment Procedure

- Use the torque adjustment nut to select the desired output setting. Note that this setting should be taken as an approximate value. Adjust the setting by loosening the adjustment nut stopper and adjusting the torque adjustment nut. When the setting has been made, re-tighten the torque adjustment nut stopper securely. Repeat this process to determine the appropriate tightness. Use a torque tester to verify.
- The BL-2000 has a double nut system (nut fixing ring and torque adjusting nut) to avoid loosening from shock or vibration to the screwdriver.
- BL-3000: Make the setting by pushing the nut collar upwards, remove the torque adjustment nut, and turn it so the point over the nut aligns with the groove.
- BL-5000, BL-7000: Set the torque adjustment nut using the hex wrench that is provided.



1	Torque Scale
2	Nut Securing Ring
3	Torque Adjustment Nut
4	Torque Adjustment Scale
5	5mm hex nut L Wrench

Repairs

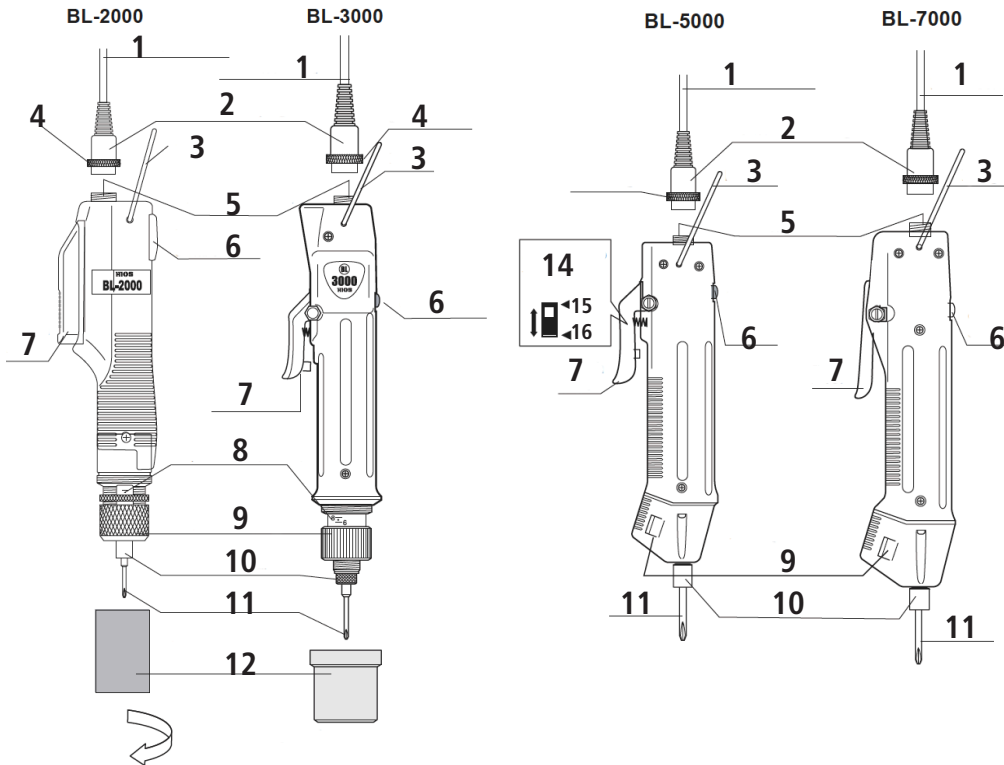
Contact ASG with any questions or concerns at +1-888-486-6163 or asginfo@asg-jergens.com



HIOS BL Series Operational Manual

Assembly · Industrial · Precision Fastening · Automation

Parts



1	Screwdriver Cord
2	Screwdriver cord plug
3	Hanger
4	Joint Ring
5	Screwdriver Connector
6	Forward/Reverse Switch
7	Switch Lever
8	Adjusting Bolt (torque adjusting scale)
9	Torque adjustment nut
10	Joint shaft collar
11	Bit
12	Torque adjustment nut protect cover
13	Rotate the protect cover counter clockwise to take it off and adjust the torque.
14	Lever/Push-to-Start Switch
15	Lever
16	Push

Accessories

- Bits
- Torque Adjusting Spring
- There are two torque adjusting springs for the BL-2000
- Hex nut L wrenches (BL-5000, BL-7000)



HIOS BL Series Operational Manual

Specifications

Lever		BL-2000, BL-200SS	BL-3000, BL- 3000SS*	BL-5000, BL-5000SS	BL-5000-15	BL-5020	BL-7000	BL-7000HT
Push-to-Start								
Output Torque Range	N.m	0.02-0.2	0.2-0.55 0.2-0.35*	0.2-1.2	0.3-1	0.5-2	0.7-2.8	0.7-3.5
	lbf.in	0.17-1.7	1.7-4.8 1.7-4.8*	1.7-10	2.6-10	4.3-17.4	6.1-24	6.1-30
	kgf.cm	(.02-2)	(2-5.5) (2-3.5)*	(2-12)	(3-10)	(5-20)	(7-28)	(7-35)
Torque Switching		Stepless Adjustment						
Unloaded Rotation Speed (rpm) ±10%	HI	990	980	900	1500	750	960	700
	LO	650	680	590	1000	500	630	500
Screw Size	Machine Screw	1.0-2.3	1.7-2.3	2.0-3.0	2.0-3.0	2.0-4.0	2.6-5.0	2.6-4.0
	Tapping Screw	1.0-2.0	2.0-2.3	2.0-3.0	2.0-3.0	2.0-3.0	2.6-4.0	2.6-4.0
Weight (g)		254	320	360	360	360	640	640
Bit Type	HIOS Shank	H4				H5, 5HEX		
	Hex Shank	—	1/4"Hex	H5 and 5Hex or 1/4"Hex		1/4" Hex		
Power Supply	T-45BL	X	X	X	X*	X*	—	—
	T-70BL	X	X	X	X*	X*	X	X
Cord Length	Standard	A	B	B	B	B	C	C
	BL-OPC	D	E	E	E	E	E	E
	BL-ESD	A	A	A	A	A	A	A
	BLQ-CR	F	H	H	H	H	I	I
	BLQ-ESD	F	F	F	F	F	F	F
	BLQ-CR-ESD	F	F	F	F	F	F	F
	BL-SS	A	B	B	—	—	—	—

NOTE: Use only 2(HI) power outlet with the * models. Models may not perform properly on 1(LOW) power outlet.

Output torque range and rotational speed in the above specifications is for BL-2000, BL-3000, using the T-45BL power pack or BL-5000 and BL-7000 using the T-70BL power pack.

* The applicable cord especially for OPC is 6PIN type. (*Regular cord is 5PIN type) Combination type screw driver (ex. ESD+OPC) is attached applicable type cord (2m).

Reference Chart for Screwdriver Cord

Type	Attached Cord
A	2m cord ESD (5P)
B	1.5m Cord (5P)
C	2m Cord (5P)
D	2m Cord ESD (6P)
E	2m Cord (6P)
F	2m ESD (5P) and include ESD vinyl tube
G	2m ESD (5P) and include vinyl tube
H	1.5m Cord (5P) and include vinyl tube
I	2m Cord (5P) and include vinyl tube

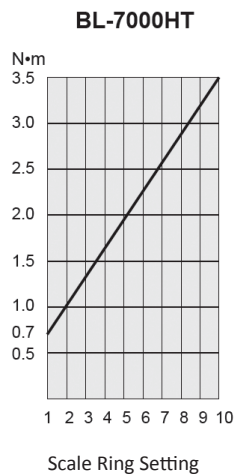
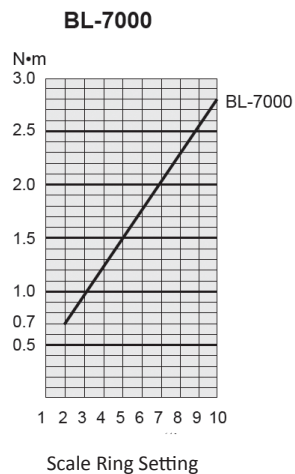
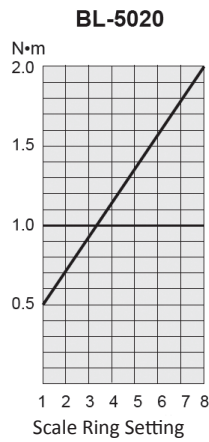
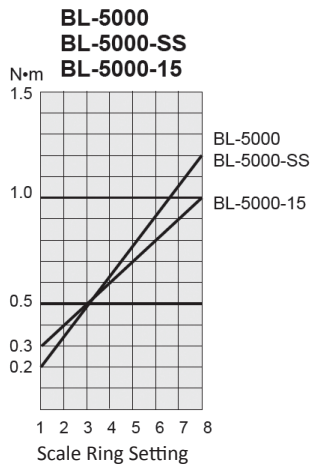
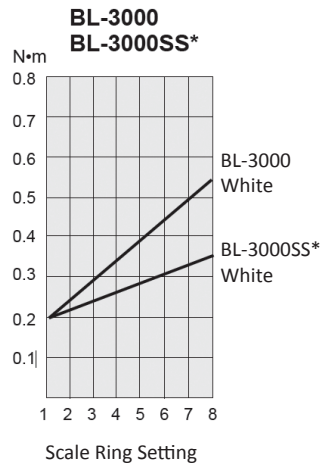
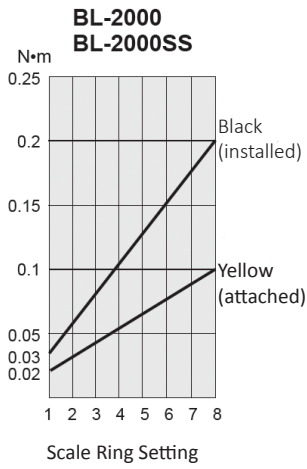
Compatible Power Supplies

Power Supply Model	Maximum Number of Screwdrivers			
	BL-2000	BL-3000	BL-5000	BL-7000
T-45BL	1	1	1	—
T-70BL	1	1	1	1



HIOS BL Series Operational Manual

Approximate Guidance of Output Torque (During HI input)





CERTIFICATE

① **CERTIFICATE**
Of Conformity
EU Council Directive 2014/30/EU
Electromagnetic Compatibility

② Registration No.: AT011605210E
③ Report No.: R011605210E

- ④ Applicant : HIOS Inc.
111-6 Akiyama, Matsudo City, Chiba Pref., 270-2223, Japan
- ⑤ Product : Electric Screw Driver
- ⑥ Identification ⑦ Model No. : BL-7000X, BL-7000SB, BL-7000
- ⑧ Trade Mark : HIOS
- ⑨ Rating : 20/30V DC, 650mA, 20W
- ⑩ Test Standards : EN 55014-1: 2006+A1: 2009+A2: 2011
EN 61000-3-2: 2014
EN 61000-3-3: 2013
EN 55014-2: 2015
EN 61000-6-2:2005

⑪ The certificate of conformity is based on an evaluation of a sample of the above-mentioned product. Technical report and documentation are at the applicant's disposal. This is to certify that the tested sample is in conformity with all provisions of Annex II of Council Directive 2014/30/EU, in its latest amended version, referred to EMC Directive. The certificate does not imply assessment of the production and does not permit the use of Lab's logo. The applicant of the certificate is authorized to use this certificate in connection with EU declaration of conformity to Article 15 of the Directive.

⑬ Certified by



Tom Chen
Tom Chen
Manager

⑫ May 30, 2016
Date

CE The CE Marking may only be used if all relevant and effective EU Directives are complied with **CE**

Shenzhen Anbotek Compliance Laboratory Limited
1/F., Building 1, SEC Industrial Park, No.0409 Qianhai Road, Tel: (86)755-26066544
Nanshan District, Shenzhen, Guangdong, China Fax: (86)755-26014772 ⑭
[Http://www.anbotek.com](http://www.anbotek.com) Email: service@anbotek.com



Assembly · Industrial · Precision Fastening · Automation

ITALIAN:

(1) Certificato di Conformità | Compatibilità elettromagnetica (2) Numero di registrazione (3) Numero del report (4) Richiedente (5) Prodotto: Cacciavite elettrico (6) Identificazione (7) Numero del modello (8) Marchio (9) Classificazione (10) Standard del test (11) Il certificato di conformità è basato sulla valutazione di un campione del suddetto prodotto. Relazione tecnica e documentazione sono a disposizione del richiedente. Questo documento certifica che il campione sottoposto a test è conforme a tutte le disposizioni dell'Allegato II della Direttiva 2014/30/UE del Consiglio, nella versione modificata più recente, di cui alla Direttiva EMC. Il certificato non implica la valutazione della produzione e non consente l'uso del logo del Laboratorio. Il richiedente del certificato è autorizzato a utilizzare questo certificato in combinazione con la dichiarazione di conformità UE di cui all'Articolo 15 della Direttiva. (12) Data (13) Certificato da: Nome e titolo (14) Numero telefonico, fax e e-mail

CZECH:

(1) Osvědčení o shodě | Elektromagnetická kompatibilita (2) Registrační číslo (3) Číslo zprávy (4) Žadatel (5) Výrobek: Elektrický šroubovák (6) ID (7) Číslo modelu (8) Značka (9) Hodnocení (10) Standardy zkoušení (11) Osvědčení o shodě je založeno na vyhodnocení vzorku výše uvedeného výrobku. Technická zpráva a dokumentace jsou k dispozici u žadatele. Tímto potvrzujeme, že zkoušený vzorek je ve shodě se všemi ustanoveními přílohy II aktuálního znění směrnice Rady 2014/30/EU o elektromagnetické kompatibilitě. Osvědčení nepředstavuje posouzení výroby a neumožňuje používání loga zkoušejícího. Žadatel o osvědčení je oprávněn používat toto osvědčení ve spojitosti s prohlášením o shodě se směrnicí EU, článek 15. (12) Datum (13) Osvědčení uděleno: Jméno a titul (14) Telefonní číslo, fax a e-mail

POLISH:

(1) Certyfikat zgodności | kompatybilność elektromagnetyczna (2) Numer rejestracyjny (3) Numer raportu (4) Wnioskodawca (5) Wyrób: Wkrętek elektryczny (6) Identyfikacja (7) Numer modelu (8) Znak towarowy (9) Ocena (10) Normy badań (11) Certyfikat zgodności jest oparty na ocenie próbki wyżej wymienionego produktu. Sprawozdanie techniczne i dokumentacja są do dyspozycji wnioskodawcy. Niniejszym zaświadcza się, że badana próbka jest zgodna ze wszystkimi przepisami załącznika II do dyrektywy Rady 2014/30/UE, w jej ostatnio zmienionej wersji, odnoszącymi się do dyrektywy EMC. Certyfikat nie stanowi oceny produkcji i nie zezwala na użycie logo laboratorium. Wnioskujący o certyfikat jest upoważniony do wykorzystania tego certyfikatu w związku z deklaracją zgodności UE na mocy art. 15 dyrektywy. (12) Data (13) Certyfikat wydany przez: Imię, nazwisko i tytuł (14) Numer telefonu, faks i adres e-mail

FRENCH:

(1) Certificat de conformité | Compatibilité électromagnétique (2) Numéro d'enregistrement (3) Numéro du rapport (4) Demandeur (5) Produit : Visseuse électrique (6) Identification (7) Numéro de modèle (8) Marque (9) Classification (10) Normes d'essai (11) Le certificat de conformité est basé sur une évaluation d'un échantillon du produit susmentionné. Le rapport technique et la documentation sont à la disposition du demandeur. Ce document certifie que l'échantillon testé est conforme à l'ensemble des dispositions de l'Annexe II de la Directive 2014/30/UE du Conseil, dans sa dernière version modifiée, faisant référence à la Directive CEM. Le certificat n'implique aucune évaluation de la production et ne permet pas l'utilisation du logo Lab. Le demandeur du certificat est autorisé à utiliser ce certificat dans le cadre de la déclaration de conformité UE à l'Article 15 de la Directive. (12) Date (13) Certifié par : Nom et titre (14) Numéro de téléphone, fax et e-mail

SPANISH:

(1) Certificado de conformidad | Compatibilidad electromagnética (2) Número de registro (3) Número de informe (4) Solicitante (5) Producto: Atornillador eléctrico (6) Identificación (7) Número de modelo (8) Marca comercial (9) Clasificación (10) Normas de prueba (11) El certificado de conformidad se basa en una evaluación de una muestra del producto mencionado anteriormente. El informe técnico y la documentación se encuentran a disposición del solicitante. Se certifica que la muestra puesta a prueba cumple con todas las disposiciones del Anexo II de la Directiva del Consejo 2014/30/EU, en su versión enmendada más reciente, denominada "Directiva CEM". El certificado no implica una evaluación de la producción ni permite el uso del logotipo del laboratorio. El solicitante del certificado está autorizado a usar el presente certificado en relación con la declaración de conformidad de la UE respecto del Artículo 15 de la Directiva. (12) Fecha (13) Certificado por: Nombre y cargo (14) Número de teléfono, fax y correo electrónico

GERMAN:

(1) Konformitätsbescheinigung | Elektromagnetische Verträglichkeit (2) Registriernummer (3) Berichtsnummer (4) Antragsteller (5) Produkt: Elektroschrauber (6) Identifizierung (7) Modellnummer (8) Eingetragenes Markenzeichen (9) Bewertung (10) Prüfnormen (11) Die Konformitätsbescheinigung basiert auf einer Bewertung einer Probe des oben genannten Produkts. Technischer Bericht und Dokumentation stehen dem Antragsteller zur Verfügung. Hiermit wird bescheinigt, dass das geprüfte Muster allen Bestimmungen des Anhangs II der Richtlinie 2014/30/EU des Rates in der zuletzt geänderten Fassung, bezogen auf die EMV-Richtlinie, entspricht. Das Zertifikat impliziert keine Bewertung der Produktion und erlaubt keine Verwendung des Lab-Logos. Der Antragsteller des Zertifikats ist berechtigt, dieses Zertifikat im Zusammenhang mit der EU-Konformitätserklärung nach Artikel 15 der Richtlinie zu verwenden. (12) Datum (13) Zertifiziert durch: Name und Titel (14) Telefonnummer, Fax und E-Mail

CERTIFICATE

① **CERTIFICATE**
Of Conformity
Machinery Directive 2006/42/EC

② Registration No.: AT0117011144M

③ Report No.: R0117011144M

④ Applicant : HIOS Inc.
1-16-5 Akiyama, Matsudo City, Chiba Pref., 270-2223, Japan

⑤ Product : Electric Screw Driver

⑥ Identification ⑦ Model No. : BL-7000X, BL-7000, BL-7000SB

⑧ Trade Mark : HIOS

⑨ Rating : 20/30V $\overline{=}$, 650mA, 20W

⑩ Test Standards : EN 60745-1: 2009+A11: 2010
EN 60745-2-2: 2014

⑪ The certificate of conformity is based on an evaluation of a sample of the above mentioned product. Technical report and documentation are at the applicant's disposal. This is to certify that the tested sample is in conformity with all revision of Annex I of Council Directive Machinery Directive 2006/42/EC. The certificate does not imply assessment of the series-production of the product and does not permit the use of lab's logo. The applicant of the certificate is authorized to use this certificate in connection with EC declaration of conformity.



⑫ Jan. 20, 2017
Date



The CE Marking may only be used if all relevant and effective EC Directives are complied with



Shenzhen Anbotek Compliance Laboratory Limited
1/F., Building 1, SEC Industrial Park, No.0409 Qianhai Road Tel: (86)755-26066544
Nanshan District, Shenzhen, Guangdong, China Fax: (86)755-26014772
[Http://www.anbotek.com](http://www.anbotek.com) Email: service@anbotek.com

⑭

ITALIAN:

(1) Certificato di conformità (2) Numero di registrazione (3) Numero del report (4) Richiedente (5) Prodotto: Cacciavite elettrico (6) Identificazione (7) Numero del modello (8) Marchio (9) Classificazione (10) Standard del test (11) Il certificato di conformità è basato sulla valutazione di un campione del suddetto prodotto. Relazione tecnica e documentazione sono a disposizione del richiedente. Questo documento certifica che il campione sottoposto a test è conforme a tutte le revisioni dell'Allegato I della Direttiva Macchine 2006/42/CE del Consiglio. Il certificato non implica la valutazione della produzione di serie e non consente l'uso del logo del Laboratorio. Il richiedente del certificato è autorizzato a utilizzare questo certificato in combinazione con la dichiarazione di conformità UE. (12) Data (13) Certificato da: Nome e titolo (14) Numero telefonico, fax e e-mail

CZECH:

(1) Osvědčení o shodě (2) Registrační číslo (3) Číslo zprávy (4) Žadatel (5) Výrobek: Elektrický šroubovák (6) ID (7) Číslo modelu (8) Značka (9) Hodnocení (10) Standardy zkoušení (11) Osvědčení o shodě je založeno na vyhodnocení vzorku výše uvedeného výrobku. Technická zpráva a dokumentace jsou k dispozici u žadatele. Tímto potvrzujeme, že zkoušený vzorek je v souladu se všemi revidovanými verzemi přílohy I směrnice Rady 2006/42/ES o strojních zařízeních. Osvědčení nepředstavuje posouzení sériové výroby a neumožňuje používání loga zkoušejícího. Žadatel o osvědčení je oprávněn používat toto osvědčení ve spojitosti s ES prohlášením o shodě. (12) Datum (13) Osvědčení uděleno: Jméno a titul (14) Telefonní číslo, fax a e-mail

POLISH:

(1) Certyfikat zgodności (2) Numer rejestracyjny (3) Numer raportu (4) Wnioskodawca (5) Wyrób: Wkrętak elektryczny (6) Identyfikacja (7) Numer modelu (8) Znak towarowy (9) Ocena (10) Normy badań (11) Certyfikat zgodności jest oparty na ocenie próbki wyżej wymienionego produktu. Sprawozdanie techniczne i dokumentacja są do dyspozycji wnioskodawcy. Niniejszym zaświadcza się, że badana próbka jest zgodna ze wszystkimi rewizjami załącznika I do dyrektywy maszynowej Rady 2006/42/UE. Certyfikat nie stanowi oceny produkcji seryjnej wyrobu i nie zezwala na używanie logo laboratorium. Wnioskujący o certyfikat jest upoważniony do wykorzystania tego certyfikatu w związku z deklaracją zgodności WE. (12) Data (13) Certyfikat wydany przez: Imię, nazwisko i tytuł (14) Numer telefonu, faks i adres e-mail

FRENCH:

(1) Certificat de conformité (2) Numéro d'enregistrement (3) Numéro du rapport (4) Demandeur (5) Produit : Visseuse électrique (6) Identification (7) Numéro de modèle (8) Marque (9) Classification (10) Normes d'essai (11) Le certificat de conformité est basé sur une évaluation d'un échantillon du produit susmentionné. Le rapport technique et la documentation sont à la disposition du demandeur. Ce document certifie que l'échantillon testé est conforme à l'ensemble des révisions de l'Annexe I de la Directive 2006/42/EC du Conseil relative aux machines. Le certificat n'implique aucune évaluation de la production en série du produit et ne permet pas l'utilisation du logo Lab. Le demandeur du certificat est autorisé à utiliser ce certificat dans le cadre de la déclaration de conformité CE. (12) Date (13) Certifié par : Nom et titre (14) Numéro de téléphone, fax et e-mail

SPANISH:

(1) Certificado de conformidad (2) Número de registro (3) Número de informe (4) Solicitante (5) Producto: Atornillador eléctrico (6) Identificación (7) Número de modelo (8) Marca comercial (9) Clasificación (10) Normas de prueba (11) El certificado de conformidad se basa en una evaluación de una muestra del producto mencionado anteriormente. El informe técnico y la documentación se encuentran a disposición del solicitante. Esto sirve para certificar que la muestra puesta a prueba cumple con todas las modificaciones al Anexo I de la Directiva de Máquinas de la Directiva del Consejo 2006/42/EC. El certificado no implica una evaluación de la producción en serie del producto ni permite el uso del logotipo del laboratorio. El solicitante del certificado está autorizado a usar el presente certificado en relación con la declaración de conformidad de la CE. (12) Fecha (13) Certificado por: Nombre y cargo (14) Número de teléfono, fax y correo electrónico

GERMAN:

(1) Konformitätsbescheinigung (2) Registriernummer (3) Berichtsnummer (4) Antragsteller (5) Produkt: Elektroschrauber (6) Identifizierung (7) Modellnummer (8) Eingetragenes Markenzeichen (9) Bewertung (10) Prüfnormen (11) Die Konformitätsbescheinigung basiert auf einer Bewertung einer Probe des oben genannten Produkts. Technischer Bericht und Dokumentation stehen dem Antragsteller zur Verfügung. Hiermit wird bescheinigt, dass das geprüfte Muster mit allen Änderungen des Anhangs I der Maschinenrichtlinie 2006/42/EG des Rates übereinstimmt. Das Zertifikat beinhaltet keine Beurteilung der Serienproduktion des Produkts und erlaubt nicht die Verwendung des Lab-Logos. Der Antragsteller des Zertifikats ist berechtigt, dieses Zertifikat in Verbindung mit der EG-Konformitätserklärung zu verwenden. (12) Datum (13) Zertifiziert durch: Name und Titel (14) Telefonnummer, Fax und E-Mail



HIOS Inc.

1-16-5, AKIYAMA, MATSUDO-CITY
CHIBA PREF., JAPAN 270-2223
TEL. : +81 473 92 2001
FAX. : +81 473 92 7773

① **EU DECLARATION OF CONFORMITY**

② 2018/11/20

③ We, HIOS Inc.
1-16-5, AKIYAMA, MATSUDO-CITY
CHIBA PREF., JAPAN 270-2223

Note: Address number was changed from 111-6 to 1-16-5 by Matsudo-city on Jan.27 2017

④ declare under our sole responsibility that
the product

⑤ Product Name: Electric screwdriver

⑥ Model series: BLG-4000, BLG-4000BC1, BLG-4000BC2 and BLG-4000ZERO1 series
BLG-5000, BLG-5000BC1, BLG-5000BC2 and BLG-5000ZERO1 series
BL-2000, BL-5000, BL-5020 and BL-7000 series
CL-2000, CL-7000NL and CL-9000NL series, SS-2000 and SS-7000 series

⑦ Note: Individual Model is followed by - after name of series.

⑧ to which this declaration is in conformity

with the following standard(s)

EN 60745-1:2009+A11:2010
EN 60745-2-2:2010
EN 61000-3-2:2014
EN 61000-3-3:2013
EN 61000-6-2:2005

⑨ following the provisions of Directive(s)
2006/42/EC, 2014/30/EU

⑩ 
Kazuo Sugimoto

Adviser
Overseas Sales.
HIOS Inc.

ITALIAN:

(1) Dichiarazione di conformità UE (2) Data (3) Noi (4) dichiariamo sotto la nostra responsabilità che il prodotto (5) Nome del prodotto: Cacciavite elettrico (6) Serie modello (7) Nota: Ogni modello è seguito da - dopo il nome della serie (8) per cui viene emessa tale dichiarazione è in conformità ai seguenti standard (9) secondo le disposizioni delle direttive (10) Nome e titolo

CZECH:

(1) Prohlášení o shodě EU (2) Datum (3) Naše společnost (4) na vlastní odpovědnost prohlašuje, že výrobek (5) Název výrobku: Elektrický šroubovák (6) Model série: (7) Poznámka: Po konkrétním modelu je uveden název série (8) je v souladu s těmito standardy (9) splňujícími ustanovení normy: (10) Jméno a titul

POLISH:

(1) Deklaracja zgodności UE (2) Data (3) Oświadczamy (4) na naszą wyłączną odpowiedzialność, że wyrób, (5) Nazwa wyrobu: Wkrętak elektryczny (6) Model seria (7) Uwaga: Po nazwie serii a przed oznaczeniem modelu występuje znak „-” (8) dla którego niniejsza deklaracja pozostaje w zgodzie z poniższą(-ymi) normą(-ami) (9) zgodnie z przepisami dyrektyw(y) (10) Nazwa i tytuł

FRENCH:

(1) Déclaration de conformité UE (2) Date (3) Nous (4) déclarons sous notre seule responsabilité que le produit (5) Nom du produit : Visseuse électrique (6) Série du modèle (7) Remarque : Le modèle individuel est suivi d'un tiret – après le nom de la série (8) concerné par la présente déclaration est conforme à la ou aux normes suivantes (9) suivant les dispositions de la ou des Directive(s) (10) Nom et titre

SPANISH:

(1) Declaración de conformidad de la UE (2) Fecha (3) Nosotros (4) declaramos bajo nuestra entera responsabilidad que el producto (5) Nombre del producto: Atornillador eléctrico (6) Modelo/Serie (7) Nota: El modelo individual aparece seguido de – luego del nombre de la serie (8) mencionado en esta declaración está en conformidad con la(s) siguiente(s) norma(s) (9) de acuerdo con las disposiciones de (las) Directiva(s) (10) Nombre y cargo

GERMAN:

(1) EU-Konformitätserklärung (2) Datum (3) Wir (4) erklären unter unserer alleinigen Verantwortung, dass das Produkt (5) Produktname: Elektroschrauber (6) Modellreihe (7) Hinweis: Auf das Einzelmodell folgt - nach dem Namen der Serie (8) mit denen diese Erklärung mit der folgenden Norm(en) übereinstimmt (9) nach den Bestimmungen der Richtlinie(n) (10) Name und Titel



Assembly · Industrial · Precision Fastening · Automation

Serie HIOS BL Manual de uso

Importante: Lea y guarde las instrucciones de operación.

Advertencia: Durante la utilización de herramientas eléctricas, tenga en cuenta siempre las siguientes precauciones básicas de seguridad para reducir el riesgo de incendios, descargas eléctricas o daños personales.

Precauciones

1. Mantenga el área de trabajo limpia: Las áreas y mesas desordenadas pueden causar lesiones.
2. Tenga en cuenta el entorno del área de trabajo: No exponga las herramientas a la lluvia. No utilice las herramientas en lugares húmedos o mojados. Mantenga el área de trabajo bien iluminada. Nunca utilice la herramienta en un área en la que haya objetos peligrosos. (gasolina, benceno, disolvente, pegamento, objetos metálicos, etc.)
3. Seguridad en el trabajo: Utilice pinzas o alicates para sujetar la pieza de trabajo.
4. Protección ante descargas eléctricas: Evite el contacto corporal con las superficies conectadas a tierra.
5. Mantenga fuera del alcance de niños y personas no autorizadas: No permita que la herramienta sea utilizada por niños o personas no autorizadas.
6. Guarde las herramientas que no se usen: Cuando no se están utilizando, las herramientas deben almacenarse en un lugar seco y en alto o bajo llave.
7. Retire las llaves de ajuste y llaves inglesas: Acostúmbrase a comprobar que se hayan retirado de la herramienta las llaves de ajuste y las llaves inglesas antes de encenderla.
8. Utilice la herramienta correcta: Utilice la herramienta para el trabajo correcto de acuerdo con su potencia nominal y su diseño.
9. Use la ropa adecuada: No use ropa suelta ni joyas, ya que podrían quedar atascadas en las piezas móviles. Si tiene el cabello largo, use el equipo de protección para la cabeza.
10. Utilice gafas de seguridad: Utilice también una máscara facial o antipolvo si durante la operación se levanta polvo.
11. Tenga cuidado al manipular el cable: Nunca tire del cable para transportar la herramienta o para desconectarla de la toma de corriente. Mantenga el cable alejado de fuentes de calor, aceite y bordes afilados.
12. No adopte posturas forzadas al intentar alcanzar algo: Mantenga los pies sobre la tierra con un buen equilibrio en todo momento.
13. Trate a las herramientas con cuidado: Mantenga las herramientas limpias para lograr un mejor rendimiento y más seguro. Siga las instrucciones de lubricación y el cambio de accesorios. Para usar la herramienta durante un tiempo prolongado en forma segura, inspecciónela periódicamente y en caso de daños, póngase en contacto con ASG. Mantenga las manos secas, limpias y libres de aceite y grasa. Inspeccione periódicamente los cables de extensión y sustitúyalos en el caso de daños.
14. Desconecte las herramientas: Cuando la herramienta no esté en uso (por ejemplo, al colocar o quitar la broca, cambiar la escobilla de carbono, inspeccionarla o limpiarla), desconéctela de la toma de corriente.
15. Evite el arranque involuntario: Asegúrese de que el interruptor esté en la posición de desconectado al enchufarlo. No transporte la herramienta con el dedo en el interruptor.

16. Manténgase alerta: Esté siempre pendiente, utilice el sentido común y no utilice la herramienta cuando esté cansado.
17. Revise las piezas dañadas: Antes de usar la herramienta, revise con atención para determinar si hay alguna cubierta protectora o cualquier otra pieza dañadas, con el fin de determinar si la herramienta está en condiciones de funcionar correctamente según se diseñó.
18. Conecte la herramienta.
19. Solo es necesaria una pequeña presión para poner en funcionamiento esta herramienta de "presionar y comenzar".

Precauciones durante el funcionamiento

1. Si se presenta algún problema, no desmonte la herramienta. Detenga el funcionamiento y póngase en contacto con ASG inmediatamente.
2. Nunca lubrique la herramienta con aceite en aerosol ni lubricantes similares.
3. Procure no dejar caer la herramienta, no la golpee ni la maltrate.
4. Nunca utilice productos químicos para limpiar la cubierta.
5. Solamente utilice el voltaje correcto.
6. Nunca tire del cable de corriente para desconectarlo del enchufe. Tome el enchufe.
7. Para un uso seguro, no ajuste la tuerca de ajuste de par a más de 10 en la escala de ajuste de par.
8. Utilice la herramienta en forma intermitente: (ejemplo: 0,5 segundos encendida, 4,5 segundos apagada)
9. No apriete más de 720 tornillos roscadores en una hora.
10. Esta herramienta no sirve para apretar tornillos para madera.
11. Apague el interruptor de potencia antes de poner la herramienta en reversa.
12. Si la herramienta no está en uso, apáguela y desconecte el cable de corriente.
13. En el modo de "presionar y comenzar", el atornillador se enciende automáticamente cuando se aplica presión a la punta.
14. En el modo de "presionar y comenzar", no quite el atornillador de la cabeza del tornillo hasta que la rotación se haya detenido.

Instrucciones de conexión a tierra

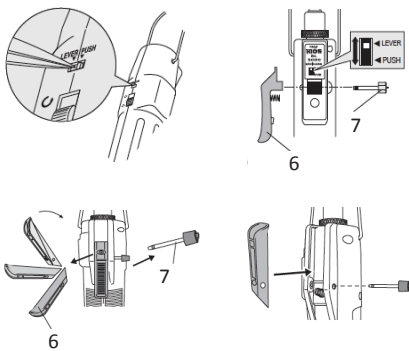
La herramienta debe conectarse a tierra mientras esté en uso, para proteger al operario de las descargas eléctricas.

Procedimiento de operación

1. Use la tuerca de ajuste de par para seleccionar el ajuste de salida deseado.
2. Acople la broca al destornillador
3. Coloque el botón de FOR/REV (adelante/atrás) en la posición de apagado, y conecte el enchufe del destornillador a una toma de CA.
4. Coloque el botón en FOR (adelante) o REV (atrás) para hacer funcionar el destornillador.
5. Accione el embrague hasta que el tornillo esté apretado al valor de par establecido.
6. Siempre apague la herramienta antes de cambiar el ajuste de la dirección de la rotación.
7. Al aflojar un tornillo apretado, coloque el botón de FOR/REV (adelante/atrás) en el modo REV (atrás) y afloje en el sentido contrario.

Modo de "presionar y comenzar":

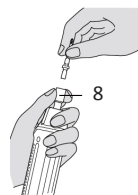
- BL-3000: Use una pinza pequeña para mover la palanca conmutadora de la posición "start" (inicio) a "push-to-start" (presionar y comenzar)
- BL-5000: Gire el tornillo de cabeza hexagonal para desprender la palanca conmutadora y coloque el interruptor de inicio en la posición "push" (presionar). Úselo sin colocar el tornillo de cabeza hexagonal ni la palanca conmutadora.
- BL-7000: Gire el tornillo de cabeza hexagonal para desprender la palanca conmutadora y vuelva a colocar la palanca conmutadora al revés.



6	palanca conmutadora
7	Tornillo de cabeza hexagonal

Colocación de una broca

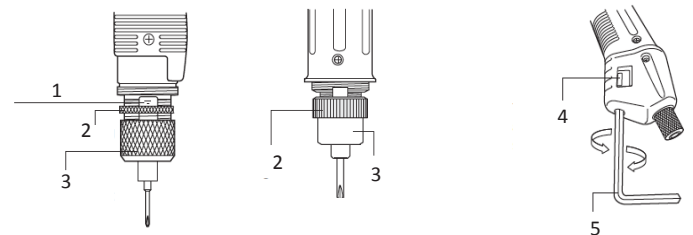
- Precaución: Cuando coloque la punta, siempre compruebe que el interruptor FOR/OFF/REV (giro/apagado/giro inverso) del atomillador esté en la posición OFF (apagado) o que se haya quitado el enchufe de alimentación del atomillador de la toma de corriente alterna.
- Use una punta del tamaño correcto. Para instalar la punta, presione o tire de la boquilla del eje de unión ubicada en el extremo del atomillador hacia arriba, e introduzca la punta. Revise que la punta no se afloje después de haberla introducido



8	Collar de eje de junta
---	------------------------

Procedimiento de ajuste de par

- Use la tuerca de ajuste de torque para seleccionar el ajuste de salida deseado. Tenga en cuenta que este ajuste debería considerarse un valor aproximado. Ajuste la configuración aflojando el tope de la tuerca de ajuste y ajustando la tuerca de ajuste de torque. Cuando se hayan realizado los ajustes, vuelva a apretar en forma segura el tope de la tuerca de ajuste de torque. Repita este proceso para determinar el apriete adecuado. Use un comprobador de torque para verificarlo.
- El dispositivo BL-2000 tiene un sistema con tuerca doble (arandela de fijación de tuerca y tuerca de ajuste de torque) para evitar que se afloje debido a los golpes o las vibraciones a los que pueda estar sujeto el atomillador.
- BL-3000: Realice los ajustes empujando el reborde de la tuerca hacia arriba, quite la tuerca de ajuste de torque, y hágala girar de manera que el punto ubicado sobre la tuerca quede alineado con la muesca.
- BL-5000, BL-7000: Coloque la tuerca de ajuste de torque con la llave hexagonal suministrada.

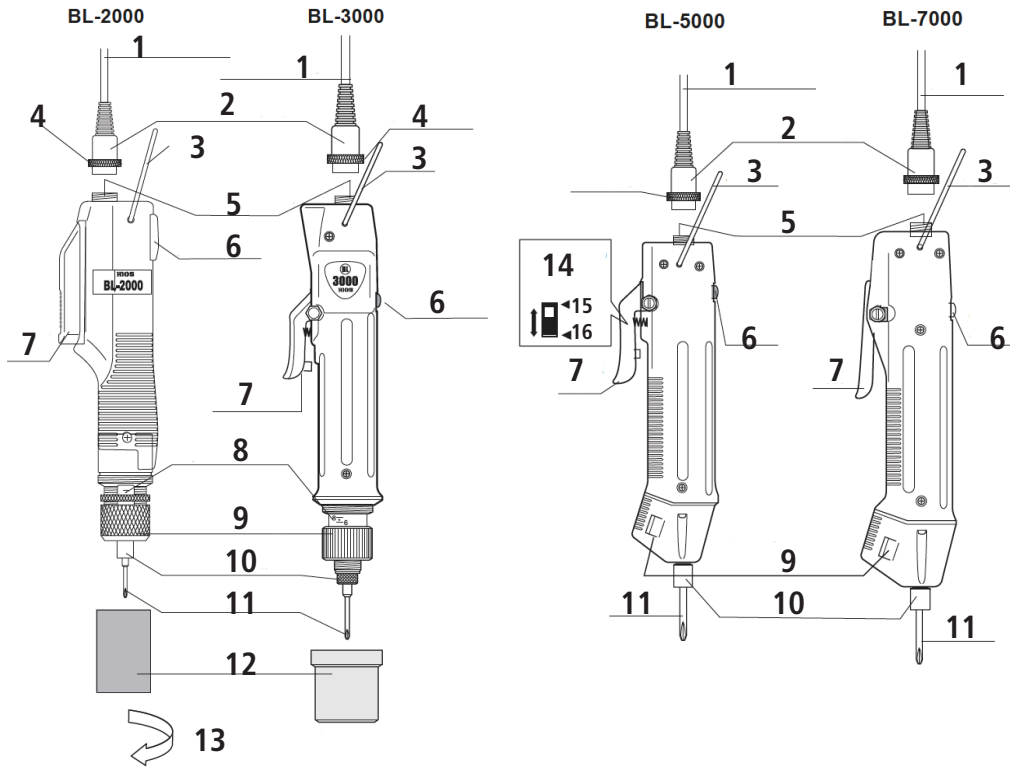


1	Escala de pares
2	Arandela de fijación de tuerca
3	Tuerca de ajuste de par
4	Escala de ajuste de par
5	Llave hexagonal de 5 mm en forma de L

Reparaciones

Si tiene alguna pregunta o inquietud, póngase en contacto con ASG y llame al número +1-888-486-6163 o envíe un correo electrónico a asginfo@asg-jergens.com

Piezas



1	Cable del atornillador
2	Enchufe del cable del atornillador
3	Gancho
4	Aro de junta
5	Conector del destornillador
6	Botón adelante/atrás
7	palanca conmutadora
8	Perno de ajuste (escala de ajuste de torque)
9	Drehmomenteinstellmutter
10	Collar de eje de junta
11	Broca
12	Cubierta de protección de la tuerca de ajuste de par
13	Gire la cubierta protectora en sentido antihorario para quitarla y ajuste el torque.
14	Interruptor Lever/Push-to-Start (palanca/presionar y comenzar)
15	Lever (palanca)
16	Push-to-Start (presionar y comenzar)

Accesorios

- Brocas
- Resorte de ajuste de torque
- El dispositivo BL-2000 tiene dos resortes de ajuste de torque
- Llaves en L para tuercas hexagonales (BL-5000, BL-7000)



Assembly · Industrial · Precision Fastening · Automation

Serie HIOS BL Manual de uso

Especificaciones

Lever (palanca)		BL-2000, BL-200SS	BL-3000, BL- 3000SS*	BL-5000, BL-5000SS	BL-5000-15	BL-5020	BL-7000	BL-7000HT
Push-to-Start (presionar y comenzar)								
Intervalo de par de salida	N.m	0.02-0.2	0.2-0.55 0.2-0.35*	0.2-1.2	0.3-1	0.5-2	0.7-2.8	0.7-3.5
	lbf.in	0.17-1.7	1.7-4.8 1.7-4.8*	1.7-10	2.6-10	4.3-17.4	6.1-24	6.1-30
	kgf.cm	(.02-2)	(2-5.5) (2-3.5)*	(2-12)	(3-10)	(5-20)	(7-28)	(7-35)
Conmutación de par		Ajuste continuo						
Velocidad de rotación descargada (rpm) ±10%	Alto	990	980	900	1500	750	960	700
	Bajo	650	680	590	1000	500	630	500
Tamaño de tornillo	Tornillo maquinado	1.0-2.3	1.7-2.3	2.0-3.0	2.0-3.0	2.0-4.0	2.6-5.0	2.6-4.0
	Tornillo de rosca cortante	1.0-2.0	2.0-2.3	2.0-3.0	2.0-3.0	2.0-3.0	2.6-4.0	2.6-4.0
Peso (g)		254	320	360	360	360	640	640
Tipo de broca	Vástago HIOS	H4				H5, 5HEX		
	Vástago hexagonal	—	1/4"Hex	H5 and 5Hex or 1/4"Hex		1/4" Hex		
Fuente de alimentación	T-45BL	X	X	X	X*	X*	—	—
	T-70BL	X	X	X	X*	X*	X	X
Largo del cable del atornillador (consulte la tabla de referencia del cable adjunto)	Estándar	A	B	B	B	B	C	C
	BL-OPC	D	E	E	E	E	E	E
	BL-ESD	A	A	A	A	A	A	A
	BLQ-CR	F	H	H	H	H	I	I
	BLQ-ESD	F	F	F	F	F	F	F
	BLQ-CR-ESD	F	F	F	F	F	F	F
	BL-SS	A	B	B	—	—	—	—

NOTA: Use solo tomacorrientes 2(HI) con los modelos *. Los modelos no funcionan correctamente si se usan tomacorrientes 1(LOW).

El rango del torque de salida y la velocidad de giro que se indican en las especificaciones anteriores corresponden a los modelos BL-2000, BL-3000, con la unidad de alimentación T-45BL, o BL-5000 y BL-7000 con la unidad de alimentación T-70BL.

* El cable aplicable especial para OPC es el de tipo de 6 pines. (*El cable común es del tipo de 5 pines). El atornillador de combinación (p. ej. ESD+OPC) tiene unido el cable del tipo aplicable (2 m).

Tabla de referencia para el cable del atornillador

Tipo	Cable adjunto
A	Cable ESD de 2 m (5P)
B	Cable de 1,5 m (5P)
C	Cable de 2 m (5P)
D	Cable ESD de 2 m (6P)
E	Cable de 2 m (6P)
F	Cable ESD de 2 m (5P), incluye un tubo de vinilo ESD
G	Cable de 2 m (5P), incluye un tubo de vinilo
H	Cable de 1,5 m (5P), incluye un tubo de vinilo
I	Cable de 2 m (5P), incluye un tubo de vinilo

Fuentes de alimentación compatibles

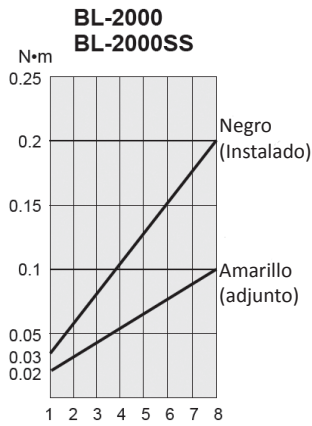
Modelo de la fuente de alimentación	Cantidad máxima de atornilladores			
	BL-2000	BL-3000	BL-5000	BL-7000
T-45BL	1	1	1	—
T-70BL	1	1	1	1



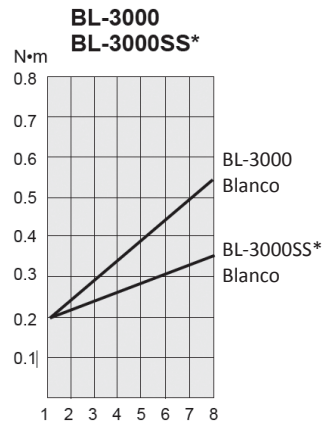
Serie HIOS BL

Manual de uso

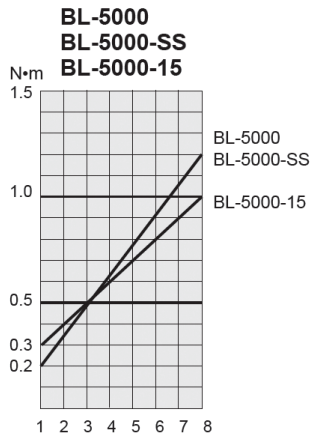
Orientación aproximada de par de salida (durante entrada alta)



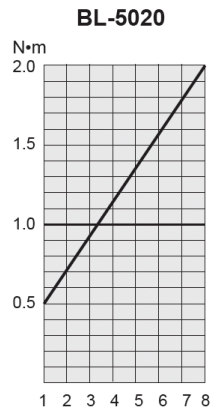
Configuración del anillo graduado



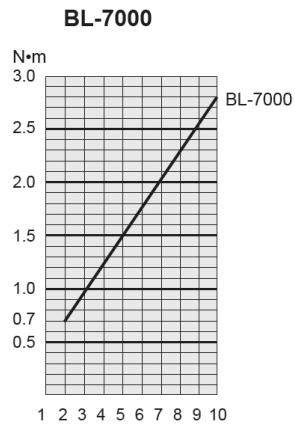
Configuración del anillo graduado



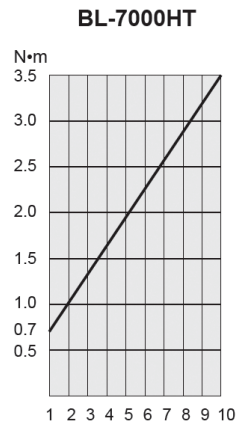
Configuración del anillo graduado



Configuración del anillo graduado



Configuración del anillo graduado



Configuración del anillo graduado

CERTIFICATE

① **CERTIFICATE**
Of Conformity
EU Council Directive 2014/30/EU
Electromagnetic Compatibility

② Registration No.: AT011605210E

③ Report No.: R011605210E

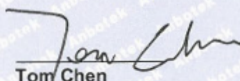
- ④ Applicant : HIOS Inc.
111-6 Akiyama, Matsudo City, Chiba Pref., 270-2223, Japan
- ⑤ Product : Electric Screw Driver
- ⑥ Identification ⑦ Model No. : BL-7000X, BL-7000SB, BL-7000
- ⑧ Trade Mark : HIOS
- ⑨ Rating : 20/30V DC, 650mA, 20W
- ⑩ Test Standards : EN 55014-1: 2006+A1: 2009+A2: 2011
EN 61000-3-2: 2014
EN 61000-3-3: 2013
EN 55014-2: 2015
EN 61000-6-2:2005

⑪ The certificate of conformity is based on an evaluation of a sample of the above-mentioned product. Technical report and documentation are at the applicant's disposal. This is to certify that the tested sample is in conformity with all provisions of Annex II of Council Directive 2014/30/EU, in its latest amended version, referred to EMC Directive. The certificate does not imply assessment of the production and does not permit the use of Lab's logo. The applicant of the certificate is authorized to use this certificate in connection with EU declaration of conformity to Article 15 of the Directive.

⑬ Certified by



⑫ May 30, 2016
Date


Tom Chen
Manager



The CE Marking may only be used if all relevant and effective EU Directives are complied with



Shenzhen Anbotek Compliance Laboratory Limited
1/F., Building 1, SEC Industrial Park, No.0409 Qianhai Road, Tel: (86)755-26066544
Nanshan District, Shenzhen, Guangdong, China Fax: (86)755-26014772
[Http://www.anbotek.com](http://www.anbotek.com) Email: service@anbotek.com

⑭



Assembly · Industrial · Precision Fastening · Automation

ITALIAN:

(1) Certificato di Conformità | Compatibilità elettromagnetica (2) Numero di registrazione (3) Numero del report (4) Richiedente (5) Prodotto: Cacciavite elettrico (6) Identificazione (7) Numero del modello (8) Marchio (9) Classificazione (10) Standard del test (11) Il certificato di conformità è basato sulla valutazione di un campione del suddetto prodotto. Relazione tecnica e documentazione sono a disposizione del richiedente. Questo documento certifica che il campione sottoposto a test è conforme a tutte le disposizioni dell'Allegato II della Direttiva 2014/30/UE del Consiglio, nella versione modificata più recente, di cui alla Direttiva EMC. Il certificato non implica la valutazione della produzione e non consente l'uso del logo del Laboratorio. Il richiedente del certificato è autorizzato a utilizzare questo certificato in combinazione con la dichiarazione di conformità UE di cui all'Articolo 15 della Direttiva. (12) Data (13) Certificato da: Nome e titolo (14) Numero telefonico, fax e e-mail

CZECH:

(1) Osvědčení o shodě | Elektromagnetická kompatibilita (2) Registrační číslo (3) Číslo zprávy (4) Žadatel (5) Výrobek: Elektrický šroubovák (6) ID (7) Číslo modelu (8) Značka (9) Hodnocení (10) Standardy zkoušení (11) Osvědčení o shodě je založeno na vyhodnocení vzorku výše uvedeného výrobku. Technická zpráva a dokumentace jsou k dispozici u žadatele. Tímto potvrzujeme, že zkoušený vzorek je ve shodě se všemi ustanoveními přílohy II aktuálního znění směrnice Rady 2014/30/EU o elektromagnetické kompatibilitě. Osvědčení nepředstavuje posouzení výroby a neumožňuje používání loga zkoušejícího. Žadatel o osvědčení je oprávněn používat toto osvědčení ve spojitosti s prohlášením o shodě se směrnicí EU, článek 15. (12) Datum (13) Osvědčení uděleno: Jméno a titul (14) Telefonní číslo, fax a e-mail

POLISH:

(1) Certyfikat zgodności | kompatybilność elektromagnetyczna (2) Numer rejestracyjny (3) Numer raportu (4) Wnioskodawca (5) Wyrób: Wkrętek elektryczny (6) Identyfikacja (7) Numer modelu (8) Znak towarowy (9) Ocena (10) Normy badań (11) Certyfikat zgodności jest oparty na ocenie próbki wyżej wymienionego produktu. Sprawozdanie techniczne i dokumentacja są do dyspozycji wnioskodawcy. Niniejszym zaświadcza się, że badana próbka jest zgodna ze wszystkimi przepisami załącznika II do dyrektywy Rady 2014/30/UE, w jej ostatnio zmienionej wersji, odnoszącymi się do dyrektywy EMC. Certyfikat nie stanowi oceny produkcji i nie zezwala na użycie logo laboratorium. Wnioskujący o certyfikat jest upoważniony do wykorzystania tego certyfikatu w związku z deklaracją zgodności UE na mocy art. 15 dyrektywy. (12) Data (13) Certyfikat wydany przez: Imię, nazwisko i tytuł (14) Numer telefonu, faks i adres e-mail

FRENCH:

(1) Certificat de conformité | Compatibilité électromagnétique (2) Numéro d'enregistrement (3) Numéro du rapport (4) Demandeur (5) Produit : Visseuse électrique (6) Identification (7) Numéro de modèle (8) Marque (9) Classification (10) Normes d'essai (11) Le certificat de conformité est basé sur une évaluation d'un échantillon du produit susmentionné. Le rapport technique et la documentation sont à la disposition du demandeur. Ce document certifie que l'échantillon testé est conforme à l'ensemble des dispositions de l'Annexe II de la Directive 2014/30/UE du Conseil, dans sa dernière version modifiée, faisant référence à la Directive CEM. Le certificat n'implique aucune évaluation de la production et ne permet pas l'utilisation du logo Lab. Le demandeur du certificat est autorisé à utiliser ce certificat dans le cadre de la déclaration de conformité UE à l'Article 15 de la Directive. (12) Date (13) Certifié par : Nom et titre (14) Numéro de téléphone, fax et e-mail

SPANISH:

(1) Certificado de conformidad | Compatibilidad electromagnética (2) Número de registro (3) Número de informe (4) Solicitante (5) Producto: Atornillador eléctrico (6) Identificación (7) Número de modelo (8) Marca comercial (9) Clasificación (10) Normas de prueba (11) El certificado de conformidad se basa en una evaluación de una muestra del producto mencionado anteriormente. El informe técnico y la documentación se encuentran a disposición del solicitante. Se certifica que la muestra puesta a prueba cumple con todas las disposiciones del Anexo II de la Directiva del Consejo 2014/30/UE, en su versión enmendada más reciente, denominada "Directiva CEM". El certificado no implica una evaluación de la producción ni permite el uso del logotipo del laboratorio. El solicitante del certificado está autorizado a usar el presente certificado en relación con la declaración de conformidad de la UE respecto del Artículo 15 de la Directiva. (12) Fecha (13) Certificado por: Nombre y cargo (14) Número de teléfono, fax y correo electrónico

GERMAN:

(1) Konformitätsbescheinigung | Elektromagnetische Verträglichkeit (2) Registriernummer (3) Berichtsnummer (4) Antragsteller (5) Produkt: Elektroschrauber (6) Identifizierung (7) Modellnummer (8) Eingetragenes Markenzeichen (9) Bewertung (10) Prüfnormen (11) Die Konformitätsbescheinigung basiert auf einer Bewertung einer Probe des oben genannten Produkts. Technischer Bericht und Dokumentation stehen dem Antragsteller zur Verfügung. Hiermit wird bescheinigt, dass das geprüfte Muster allen Bestimmungen des Anhangs II der Richtlinie 2014/30/EU des Rates in der zuletzt geänderten Fassung, bezogen auf die EMV-Richtlinie, entspricht. Das Zertifikat impliziert keine Bewertung der Produktion und erlaubt keine Verwendung des Lab-Logos. Der Antragsteller des Zertifikats ist berechtigt, dieses Zertifikat im Zusammenhang mit der EU-Konformitätserklärung nach Artikel 15 der Richtlinie zu verwenden. (12) Datum (13) Zertifiziert durch: Name und Titel (14) Telefonnummer, Fax und E-Mail

CERTIFICATE

① **CERTIFICATE**
Of Conformity
Machinery Directive 2006/42/EC

② Registration No.: AT0117011144M
③ Report No.: R0117011144M

- ④ Applicant : HIOS Inc.
1-16-5 Akiyama, Matsudo City, Chiba Pref., 270-2223, Japan
- ⑤ Product : Electric Screw Driver
- ⑥ Identification ⑦ Model No. : BL-7000X, BL-7000, BL-7000SB
- ⑧ Trade Mark : HIOS
- ⑨ Rating : 20/30V=, 650mA, 20W
- ⑩ Test Standards : EN 60745-1: 2009+A11: 2010
EN 60745-2-2: 2014

⑪ The certificate of conformity is based on an evaluation of a sample of the above mentioned product. Technical report and documentation are at the applicant's disposal. This is to certify that the tested sample is in conformity with all revision of Annex I of Council Directive Machinery Directive 2006/42/EC. The certificate does not imply assessment of the series-production of the product and does not permit the use of lab's logo. The applicant of the certificate is authorized to use this certificate in connection with EC declaration of conformity.



⑫ Jan. 20, 2017
Date

CE The CE Marking may only be used if all relevant and effective EC Directives are complied with **CE**

Shenzhen Anbotek Compliance Laboratory Limited
1/F., Building 1, SEC Industrial Park, No.0409 Qianhai Road Tel: (86)755-26066544
Nanshan District, Shenzhen, Guangdong, China Fax: (86)755-26014772
[Http://www.anbotek.com](http://www.anbotek.com) Email: service@anbotek.com

**ITALIAN:**

(1) Certificato di conformità (2) Numero di registrazione (3) Numero del report (4) Richiedente (5) Prodotto: Cacciavite elettrico (6) Identificazione (7) Numero del modello (8) Marchio (9) Classificazione (10) Standard del test (11) Il certificato di conformità è basato sulla valutazione di un campione del suddetto prodotto. Relazione tecnica e documentazione sono a disposizione del richiedente. Questo documento certifica che il campione sottoposto a test è conforme a tutte le revisioni dell'Allegato I della Direttiva Macchine 2006/42/CE del Consiglio. Il certificato non implica la valutazione della produzione di serie e non consente l'uso del logo del Laboratorio. Il richiedente del certificato è autorizzato a utilizzare questo certificato in combinazione con la dichiarazione di conformità UE. (12) Data (13) Certificato da: Nome e titolo (14) Numero telefonico, fax e e-mail

CZECH:

(1) Osvědčení o shodě (2) Registrační číslo (3) Číslo zprávy (4) Žadatel (5) Výrobek: Elektrický šroubovák (6) ID (7) Číslo modelu (8) Značka (9) Hodnocení (10) Standardy zkoušení (11) Osvědčení o shodě je založeno na vyhodnocení vzorku výše uvedeného výrobku. Technická zpráva a dokumentace jsou k dispozici u žadatele. Tímto potvrzujeme, že zkoušený vzorek je v souladu se všemi revidovanými verzemi přílohy I směrnice Rady 2006/42/ES o strojních zařízeních. Osvědčení nepředstavuje posouzení sériové výroby a neumožňuje používání loga zkoušejícího. Žadatel o osvědčení je oprávněn používat toto osvědčení ve spojitosti s ES prohlášením o shodě. (12) Datum (13) Osvědčení uděleno: Jméno a titul (14) Telefonní číslo, fax a e-mail

POLISH:

(1) Certyfikat zgodności (2) Numer rejestracyjny (3) Numer raportu (4) Wnioskodawca (5) Wyrób: Wkrętak elektryczny (6) Identyfikacja (7) Numer modelu (8) Znak towarowy (9) Ocena (10) Normy badań (11) Certyfikat zgodności jest oparty na ocenie próbki wyżej wymienionego produktu. Sprawozdanie techniczne i dokumentacja są do dyspozycji wnioskodawcy. Niniejszym zaświadcza się, że badana próbka jest zgodna ze wszystkimi rewizjami załącznika I do dyrektywy maszynowej Rady 2006/42/UE. Certyfikat nie stanowi oceny produkcji seryjnej wyrobu i nie zezwala na używanie logo laboratorium. Wnioskujący o certyfikat jest upoważniony do wykorzystania tego certyfikatu w związku z deklaracją zgodności WE. (12) Data (13) Certyfikat wydany przez: Imię, nazwisko i tytuł (14) Numer telefonu, faks i adres e-mail

FRENCH:

(1) Certificat de conformité (2) Numéro d'enregistrement (3) Numéro du rapport (4) Demandeur (5) Produit : Visseuse électrique (6) Identification (7) Numéro de modèle (8) Marque (9) Classification (10) Normes d'essai (11) Le certificat de conformité est basé sur une évaluation d'un échantillon du produit susmentionné. Le rapport technique et la documentation sont à la disposition du demandeur. Ce document certifie que l'échantillon testé est conforme à l'ensemble des révisions de l'Annexe I de la Directive 2006/42/EC du Conseil relative aux machines. Le certificat n'implique aucune évaluation de la production en série du produit et ne permet pas l'utilisation du logo Lab. Le demandeur du certificat est autorisé à utiliser ce certificat dans le cadre de la déclaration de conformité CE. (12) Date (13) Certifié par : Nom et titre (14) Numéro de téléphone, fax et e-mail

SPANISH:

(1) Certificado de conformidad (2) Número de registro (3) Número de informe (4) Solicitante (5) Producto: Atornillador eléctrico (6) Identificación (7) Número de modelo (8) Marca comercial (9) Clasificación (10) Normas de prueba (11) El certificado de conformidad se basa en una evaluación de una muestra del producto mencionado anteriormente. El informe técnico y la documentación se encuentran a disposición del solicitante. Esto sirve para certificar que la muestra puesta a prueba cumple con todas las modificaciones al Anexo I de la Directiva de Máquinas de la Directiva del Consejo 2006/42/EC. El certificado no implica una evaluación de la producción en serie del producto ni permite el uso del logotipo del laboratorio. El solicitante del certificado está autorizado a usar el presente certificado en relación con la declaración de conformidad de la CE. (12) Fecha (13) Certificado por: Nombre y cargo (14) Número de teléfono, fax y correo electrónico

GERMAN:

(1) Konformitätsbescheinigung (2) Registriernummer (3) Berichtsnummer (4) Antragsteller (5) Produkt: Elektroschrauber (6) Identifizierung (7) Modellnummer (8) Eingetragenes Markenzeichen (9) Bewertung (10) Prüfnormen (11) Die Konformitätsbescheinigung basiert auf einer Bewertung einer Probe des oben genannten Produkts. Technischer Bericht und Dokumentation stehen dem Antragsteller zur Verfügung. Hiermit wird bescheinigt, dass das geprüfte Muster mit allen Änderungen des Anhangs I der Maschinenrichtlinie 2006/42/EG des Rates übereinstimmt. Das Zertifikat beinhaltet keine Beurteilung der Serienproduktion des Produkts und erlaubt nicht die Verwendung des Lab-Logos. Der Antragsteller des Zertifikats ist berechtigt, dieses Zertifikat in Verbindung mit der EG-Konformitätserklärung zu verwenden. (12) Datum (13) Zertifiziert durch: Name und Titel (14) Telefonnummer, Fax und E-Mail



HIOS Inc.

1-16-5, AKIYAMA, MATSUDO-CITY
CHIBA PREF., JAPAN 270-2223
TEL. : +81 473 92 2001
FAX. : +81 473 92 7773

① **EU DECLARATION OF CONFORMITY**

② 2018/11/20

③ We, HIOS Inc.
1-16-5, AKIYAMA, MATSUDO-CITY
CHIBA PREF., JAPAN 270-2223

Note: Address number was changed from 111-6 to 1-16-5 by Matsudo-city on Jan.27 2017

④ declare under our sole responsibility that
the product

⑤ Product Name: Electric screwdriver

⑥ Model series: BLG-4000, BLG-4000BC1, BLG-4000BC2 and BLG-4000ZERO1 series
BLG-5000, BLG-5000BC1, BLG-5000BC2 and BLG-5000ZERO1 series
BL-2000, BL-5000, BL-5020 and BL-7000 series
CL-2000, CL-7000NL and CL-9000NL series, SS-2000 and SS-7000 series

⑦ Note: Individual Model is followed by - after name of series.

⑧ to which this declaration is in conformity

with the following standard(s)

EN 60745-1:2009+A11:2010
EN 60745-2-2:2010
EN 61000-3-2:2014
EN 61000-3-3:2013
EN 61000-6-2:2005

⑨ following the provisions of Directive(s)
2006/42/EC, 2014/30/EU

⑩ 
Kazuo Sugimoto

Adviser
Overseas Sales.
HIOS Inc.

ITALIAN:

(1) Dichiarazione di conformità UE (2) Data (3) Noi (4) dichiariamo sotto la nostra responsabilità che il prodotto (5) Nome del prodotto: Cacciavite elettrico (6) Serie modello (7) Nota: Ogni modello è seguito da - dopo il nome della serie (8) per cui viene emessa tale dichiarazione è in conformità ai seguenti standard (9) secondo le disposizioni delle direttive (10) Nome e titolo

CZECH:

(1) Prohlášení o shodě EU (2) Datum (3) Naše společnost (4) na vlastní odpovědnost prohlašuje, že výrobek (5) Název výrobku: Elektrický šroubovák (6) Model série: (7) Poznámka: Po konkrétním modelu je uveden název série (8) je v souladu s těmito standardy (9) splňujícími ustanovení normy: (10) Jméno a titul

POLISH:

(1) Deklaracja zgodności UE (2) Data (3) Oświadczamy (4) na naszą wyłączną odpowiedzialność, że wyrób, (5) Nazwa wyrobu: Wkrętak elektryczny (6) Model seria (7) Uwaga: Po nazwie serii a przed oznaczeniem modelu występuje znak „-” (8) dla którego niniejsza deklaracja pozostaje w zgodzie z poniższą(-ymi) normą(-ami) (9) zgodnie z przepisami dyrektyw(y) (10) Nazwa i tytuł

FRENCH:

(1) Déclaration de conformité UE (2) Date (3) Nous (4) déclarons sous notre seule responsabilité que le produit (5) Nom du produit : Visseuse électrique (6) Série du modèle (7) Remarque : Le modèle individuel est suivi d'un tiret – après le nom de la série (8) concerné par la présente déclaration est conforme à la ou aux normes suivantes (9) suivant les dispositions de la ou des Directive(s) (10) Nom et titre

SPANISH:

(1) Declaración de conformidad de la UE (2) Fecha (3) Nosotros (4) declaramos bajo nuestra entera responsabilidad que el producto (5) Nombre del producto: Atornillador eléctrico (6) Modelo/Serie (7) Nota: El modelo individual aparece seguido de – luego del nombre de la serie (8) mencionado en esta declaración está en conformidad con la(s) siguiente(s) norma(s) (9) de acuerdo con las disposiciones de (las) Directiva(s) (10) Nombre y cargo

GERMAN:

(1) EU-Konformitätserklärung (2) Datum (3) Wir (4) erklären unter unserer alleinigen Verantwortung, dass das Produkt (5) Produktname: Elektroschrauber (6) Modellreihe (7) Hinweis: Auf das Einzelmodell folgt - nach dem Namen der Serie (8) mit denen diese Erklärung mit der folgenden Norm(en) übereinstimmt (9) nach den Bestimmungen der Richtlinie(n) (10) Name und Titel



Série HIOS BL Manuel d'utilisation

Important : Veuillez lire et conserver les instructions d'utilisation.

Avertissement : Lorsque vous utilisez des outils électriques, les précautions de sécurité de base suivantes doivent toujours être respectées afin de réduire le risque d'incendie, d'électrocution ou de blessure corporelle.

Précautions

1. Maintenez l'espace de travail propre : Les surfaces et bancs en désordre peuvent provoquer des blessures.
2. Tenez compte de l'environnement de travail : N'exposez pas les outils à la pluie. N'utilisez pas les outils dans des endroits humides ou mouillés. Maintenez la zone de travail éclairée. N'utilisez jamais les outils lorsque des objets dangereux sont présents (carburant, benzène, diluant, colle à gaz, objets métalliques, etc.).
3. Sécurisation du travail : Utilisez une pince ou un étau pour maintenir la pièce travaillée.
4. Protection contre les électrocutions : Empêchez le contact du corps avec les surfaces mises à la terre.
5. Maintenez à l'écart les enfants et le personnel non autorisé : Ne laissez pas des enfants ou du personnel non autorisé utiliser les outils.
6. Stockez les outils à l'arrêt : Lorsqu'ils ne sont pas utilisés, les outils doivent être stockés dans un espace sec et en hauteur ou verrouillé.
7. Retirez les clés de réglage : Vérifiez toujours que les clés de réglage ne sont plus dans l'outil avant de l'allumer.
8. Utilisez le bon outil : Utilisez l'outil pour des tâches adaptées à sa puissance et à sa conception.
9. Habillez-vous correctement : Ne portez pas de vêtements larges ou de bijoux, car ils pourraient se coincer dans des pièces en mouvement. Portez un couvre-chef protecteur pour retenir les cheveux longs.
10. Utilisez des lunettes de sécurité : Utilisez également un masque facial ou anti-poussière si les opérations impliquent de la poussière.
11. Ne surutilisez pas sur le cordon d'alimentation : Ne portez jamais l'outil avec son cordon, et ne le tirez jamais pour le débrancher de la prise de courant. Gardez le cordon à l'écart de la chaleur, d'huile et d'objets tranchants.
12. Ne vous déstabilisez pas : Maintenez toujours votre équilibre et une bonne position des pieds.
13. Entretenez les outils avec soin : Nettoyez les outils pour assurer des performances sûres optimales. Suivez les instructions pour lubrifier et changer les accessoires. Pour utiliser l'outil pendant une période prolongée en toute sécurité, réalisez des vérifications régulières sur l'outil et, s'il est endommagé, contactez ASG. Gardez les mains sèches, propres, et sans huile ni graisse. Vérifiez régulièrement les rallonges et remplacez-les en cas de dommages.
14. Déconnectez les outils : Lorsque l'outil n'est pas utilisé, par exemple lors de l'attache et du retrait de l'embout, et du changement du balai de charbon, ou lors de l'inspection ou du nettoyage, débranchez l'outil de la prise de courant.
15. Évitez les démarrages non intentionnels : Assurez-vous que le commutateur est sur arrêt lorsque vous branchez l'outil. Ne déplacez pas l'outil avec un doigt sur le commutateur.
16. Restez vigilant : Restez toujours vigilant, faites preuve de bon jugement et n'utilisez pas l'outil lorsque vous êtes fatigué.
17. Vérifiez les pièces endommagées : Avant d'utiliser l'outil, il fait

vérifier soigneusement si un couvercle de protection ou d'autres pièces sont endommagés afin de déterminer si l'outil fonctionne correctement et conformément à sa conception.

18. Mettez l'outil à la terre.
19. Une simple pression est suffisante pour qu'un outil avec bouton-poussoir entre en service.

Mise en garde lors du fonctionnement

1. En cas de problèmes, ne démontez pas l'outil. Arrêtez les opérations et contactez immédiatement ASG.
2. Ne lubrifiez jamais l'outil avec de l'huile en aérosol ou des lubrifiants similaires.
3. Ne faites pas tomber ou ne frappez pas l'outil. Utilisez-le correctement.
4. N'utilisez jamais de produits chimiques pour essuyer le couvercle du corps.
5. Utilisez uniquement la bonne tension.
6. Ne tirez pas sur le cordon CA lorsque vous débranchez l'outil de la prise de courant. Faites-le en saisissant la prise.
7. Pour une utilisation plus sûre, ne configurez pas l'écrou de réglage du couple à plus de 10 sur l'échelle de réglage du couple.
8. Utilisez l'outil de façon intermittente : (Exemple : 0,5 seconde MARCHE, 4,5 secondes ARRÊT)
9. Ne serrez pas plus de 720 vis autotaraudeuses en une heure.
10. Cet outil n'est pas conçu pour serrer des vis à bois
11. Configurez le commutateur d'alimentation sur OFF (ARRÊT) avant d'inverser l'outil.
12. Si l'outil n'est pas utilisé, arrêtez l'outil et débranchez la prise du cordon CA.
13. En mode Bouton-poussoir, la visseuse se met automatiquement en marche lorsqu'une pression est exercée sur l'extrémité de l'embout.
14. En mode Bouton-poussoir, ne soulevez pas la visseuse de la tête de vis jusqu'à ce que la rotation s'arrête.

Instructions de mise à la terre

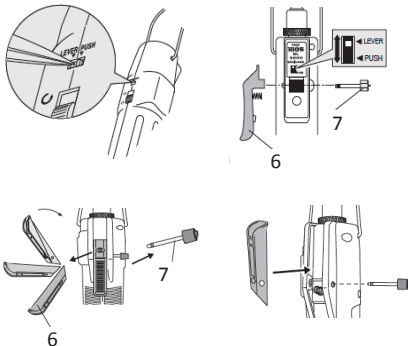
L'outil doit être mis à la terre lorsqu'il est utilisé pour protéger l'opérateur des électrocutions.

Procédure opérationnelle

1. Utilisez l'écrou de réglage du couple pour sélectionner le réglage de sortie souhaité.
2. Fixez l'embout sur le tournevis.
3. Éteignez le commutateur FOR/REV et branchez la prise de la visseuse sur une prise de courant alternatif.
4. Mettez le commutateur sur FOR ou REV pour démarrer la visseuse.
5. Utilisez l'embrayage jusqu'à ce que la vis soit serrée au couple configuré.
6. Éteignez toujours l'alimentation avant d'inverser le sens de rotation.
7. Lorsque vous desserrez une vis serrée, mettez le commutateur FOR/REV sur REV et desserrez dans le sens inverse.

Mode Bouton-poussoir:

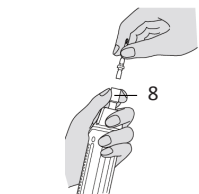
- BL-3000: Utilisez des pinces pour faire basculer le démarrage avec levier en mode de démarrage avec bouton-poussoir
- BL-5000: Faites pivoter la vis à tête hexagonale pour détacher le levier de commutation et positionnez l'interrupteur de démarrage en position de poussée. Utilisez-la sans attacher la vis à tête hexagonale et le levier de commutation.
- BL-7000: Faites pivoter la vis à tête hexagonale pour détacher le levier de commutation et rattachez-le à l'envers.



6	levier de commutation
7	Vis à tête hexagonale

Fixation d'un embout

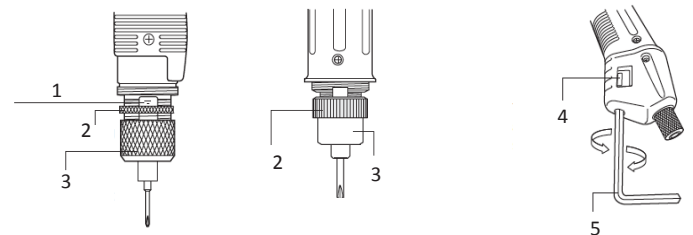
- Mise en garde : Lors de la fixation de l'embout, assurez-vous toujours que le commutateur FOR/OFF/REV de la visseuse est réglé sur OFF ou que la fiche d'alimentation de la visseuse a été débranchée de la prise secteur.
- Utilisez la taille d'embout correcte. Pour installer l'embout, poussez ou tirez le collier de la tige de liaison situé à l'extrémité de la visseuse vers le haut et insérez l'embout. Vérifiez que l'embout ne se desserre pas après l'avoir inséré.



8 Collier de la tige de liaison

Procédure de réglage du couple

- Utilisez l'écrou de réglage du couple pour sélectionner le réglage de sortie souhaité. Veuillez noter que ce réglage doit être considéré comme une valeur approximative. Ajustez le réglage en desserrant la butée de l'écrou de réglage et en ajustant l'écrou de réglage du couple. Une fois le réglage effectué, resserrez fermement la butée de l'écrou de réglage du couple. Répétez cette procédure pour déterminer le serrage approprié. Utilisez un testeur de couple pour effectuer la vérification.
- Le modèle BL-2000 est doté d'un système à double écrou (bague de fixation d'écrou et écrou de réglage de couple) pour éviter tout relâchement dû aux chocs ou aux vibrations appliqués sur la visseuse.
- BL-3000: Effectuez le réglage en poussant le collier de l'écrou vers le haut, retirez l'écrou de réglage du couple et faites-le pivoter de sorte que le point situé au-dessus de l'écrou s'aligne sur la rainure.
- BL-5000, BL-7000: Réglez l'écrou de réglage du couple à l'aide de la clé hexagonale fournie.

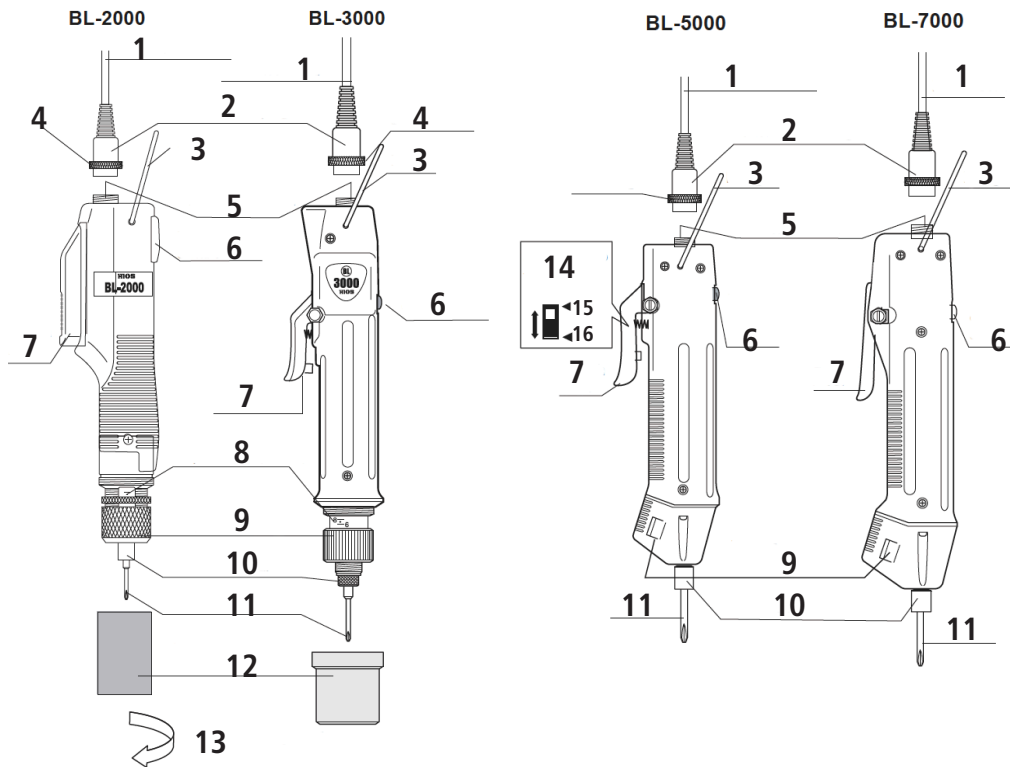


1	Échelle du couple
2	Bague de fixation d'écrou
3	Écrou de réglage du couple
4	Échelle de réglage du couple
5	Clé en L pour écrou hexagonal 5 mm

Réparations

Contactez ASG en cas de questions ou de doutes par téléphone au +1 888 486 6163 ou par e-mail à l'adresse asginfo@asg-jergens.com

Pièces



1	Cordon de la visseuse
2	Prise de cordon de visseuse
3	Élément de suspension
4	Joint torique
5	Connecteur du tournevis
6	Commutateur Avant/Arrière (Forward/Reverse)
7	levier de commutation
8	Boulon de réglage (échelle de réglage du couple)
9	Écrou de réglage du couple
10	Collier de la tige de liaison
11	Embout
12	Couvercle de protection de l'écrou de réglage du couple
13	Faites pivoter le couvercle de protection dans le sens inverse des aiguilles d'une montre pour le retirer et réglez le couple.
14	Commutateur Levier/Bouton-poussoir
15	Levier
16	Bouton-poussoir

Accessoires

- Embouts
- Ressort de réglage du couple
- On trouve deux ressorts de réglage du couple pour le modèle BL-2000
- Clé en L pour écrou hexagonal (BL-5000, BL-7000)

Caractéristiques

Levier		BL-2000, BL-200SS	BL-3000, BL- 3000SS*	BL-5000, BL-5000SS	BL-5000-15	BL-5020	BL-7000	BL-7000HT
Bouton-poussoir								
Plage du couple de sortie	N.m	0.02-0.2	0.2-0.55 0.2-0.35*	0.2-1.2	0.3-1	0.5-2	0.7-2.8	0.7-3.5
	lbf.in	0.17-1.7	1.7-4.8 1.7-4.8*	1.7-10	2.6-10	4.3-17.4	6.1-24	6.1-30
	kgf.cm	(.02-2)	(2-5.5) (2-3.5)*	(2-12)	(3-10)	(5-20)	(7-28)	(7-35)
Commutateur du couple		Réglage continu						
Vitesse de rotation déchargée (tpm) ± 10 %	HI (ÉLEVÉ)	990	980	900	1500	750	960	700
	LO (FAIBLE)	650	680	590	1000	500	630	500
Taille de la vis	Vis de machine	1.0-2.3	1.7-2.3	2.0-3.0	2.0-3.0	2.0-4.0	2.6-5.0	2.6-4.0
	Vis autota- raudeuse	1.0-2.0	2.0-2.3	2.0-3.0	2.0-3.0	2.0-3.0	2.6-4.0	2.6-4.0
Poids (g)		254	320	360	360	360	640	640
Type d'embout	Tige HIOS	H4				H5, 5HEX		
	Tige hexagonale	—	1/4"Hex	H5 et 5Hex ou 1/4"Hex		1/4" Hex		
Alimentation	T-45BL	X	X	X	X*	X*	—	—
	T-70BL	X	X	X	X*	X*	X	X
Longueur du cordon	Standard	A	B	B	B	B	C	C
	BL-OPC	D	E	E	E	E	E	E
	BL-ESD	A	A	A	A	A	A	A
	BLQ-CR	F	H	H	H	H	I	I
	BLQ-ESD	F	F	F	F	F	F	F
	BLQ-CR-ESD	F	F	F	F	F	F	F
	BL-SS	A	B	B		—	—	—

REMARQUE : Utilisez uniquement une prise de courant 2(HI) avec les modèles *. Les modèles risquent de ne pas fonctionner correctement avec une prise secteur 1(LOW).

La plage de couple de sortie et la vitesse de rotation avec les spécifications indiquées ci-dessus correspondent aux modèles BL-2000, BL-3000, en utilisant le bloc d'alimentation T-45BL ou aux modèles BL-5000 et BL-7000 en utilisant le bloc d'alimentation T-70BL.

*Le cordon applicable spécialement conçu pour le modèle OPC est de type 6PIN (6 broches). (*Le cordon standard est de type 5PIN (5 broches)) Les visseuses combinées (ex. ESD + OPC) nécessitent un câble de type applicable attaché (2 m).

Tableau des références pour cordon de visseuse

Type	Cordon attaché
A	2 m de cordon antistatique (5P)
B	Cordon de 1,5 m (5P)
C	Cordon de 2 m (5P)
D	Cordon antistatique de 2 m (6P)
E	Cordon de 2 m (6P)
F	2 m de cordon antistatique (5P) et comprend un tube en vinyle antistatique
G	2 m de cordon antistatique (5P) et comprend un tube en vinyle
H	Type de cordon de 1,5 m (5P) et comprend un tube en vinyle
I	Type cordon de 2 m (5P) et comprend un tube en vinyle

Alimentations compatibles

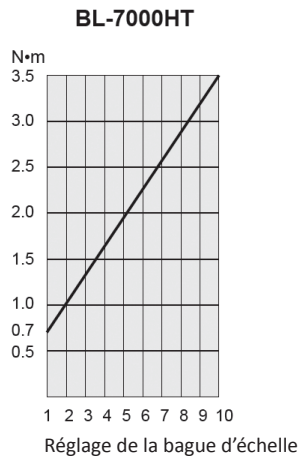
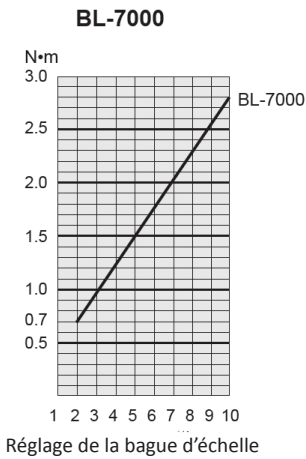
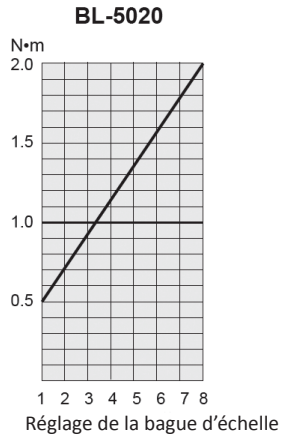
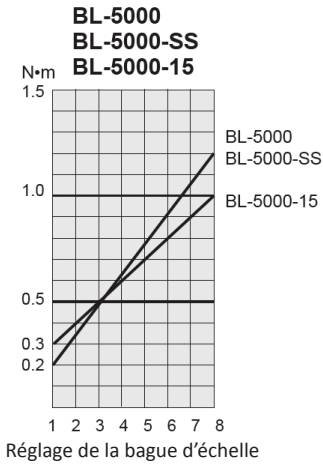
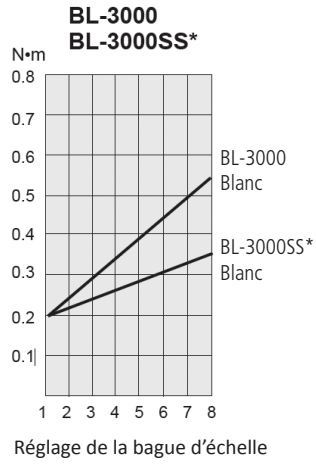
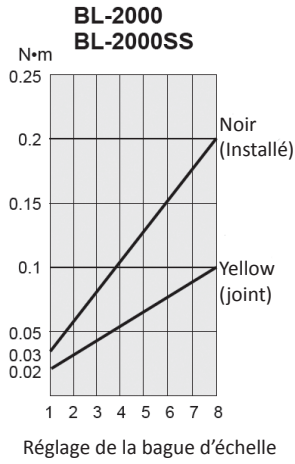
Modèle d'alimentation	Nombre maximal de visseuses			
	BL-2000	BL-3000	BL-5000	BL-7000
T-45BL	1	1	1	—
T-70BL	1	1	1	1



Assembly · Industrial · Precision Fastening · Automation

Série HIOS BL Manuel d'utilisation

Conseils approximatifs pour le couple de sortie (avec entrée élevée [HI])





CERTIFICATE

① **CERTIFICATE**
Of Conformity
EU Council Directive 2014/30/EU
Electromagnetic Compatibility

② Registration No.: AT011605210E
③ Report No.: R011605210E

- ④ Applicant : HIOS Inc.
111-6 Akiyama, Matsudo City, Chiba Pref., 270-2223, Japan
- ⑤ Product : Electric Screw Driver
- ⑥ Identification ⑦ Model No. : BL-7000X, BL-7000SB, BL-7000
- ⑧ Trade Mark : HIOS
- ⑨ Rating : 20/30V DC, 650mA, 20W
- ⑩ Test Standards : EN 55014-1: 2006+A1: 2009+A2: 2011
EN 61000-3-2: 2014
EN 61000-3-3: 2013
EN 55014-2: 2015
EN 61000-6-2:2005

⑪ The certificate of conformity is based on an evaluation of a sample of the above-mentioned product. Technical report and documentation are at the applicant's disposal. This is to certify that the tested sample is in conformity with all provisions of Annex II of Council Directive 2014/30/EU, in its latest amended version, referred to EMC Directive. The certificate does not imply assessment of the production and does not permit the use of Lab's logo. The applicant of the certificate is authorized to use this certificate in connection with EU declaration of conformity to Article 15 of the Directive.

⑬ Certified by



Tom Chen
Tom Chen
Manager

⑫ May 30, 2016
Date

CE The CE Marking may only be used if all relevant and effective EU Directives are complied with CE

Shenzhen Anbotek Compliance Laboratory Limited
1/F., Building 1, SEC Industrial Park, No.0409 Qianhai Road, Tel: (86)755-26066544
Nanshan District, Shenzhen, Guangdong, China Fax: (86)755-26014772
[Http://www.anbotek.com](http://www.anbotek.com) Email: service@anbotek.com ⑭



Assembly · Industrial · Precision Fastening · Automation

ITALIAN:

(1) Certificato di Conformità | Compatibilità elettromagnetica (2) Numero di registrazione (3) Numero del report (4) Richiedente (5) Prodotto: Cacciavite elettrico (6) Identificazione (7) Numero del modello (8) Marchio (9) Classificazione (10) Standard del test (11) Il certificato di conformità è basato sulla valutazione di un campione del suddetto prodotto. Relazione tecnica e documentazione sono a disposizione del richiedente. Questo documento certifica che il campione sottoposto a test è conforme a tutte le disposizioni dell'Allegato II della Direttiva 2014/30/UE del Consiglio, nella versione modificata più recente, di cui alla Direttiva EMC. Il certificato non implica la valutazione della produzione e non consente l'uso del logo del Laboratorio. Il richiedente del certificato è autorizzato a utilizzare questo certificato in combinazione con la dichiarazione di conformità UE di cui all'Articolo 15 della Direttiva. (12) Data (13) Certificato da: Nome e titolo (14) Numero telefonico, fax e e-mail

CZECH:

(1) Osvědčení o shodě | Elektromagnetická kompatibilita (2) Registrační číslo (3) Číslo zprávy (4) Žadatel (5) Výrobek: Elektrický šroubovák (6) ID (7) Číslo modelu (8) Značka (9) Hodnocení (10) Standardy zkoušení (11) Osvědčení o shodě je založeno na vyhodnocení vzorku výše uvedeného výrobku. Technická zpráva a dokumentace jsou k dispozici u žadatele. Tímto potvrzujeme, že zkoušený vzorek je ve shodě se všemi ustanoveními přílohy II aktuálního znění směrnice Rady 2014/30/EU o elektromagnetické kompatibilitě. Osvědčení nepředstavuje posouzení výroby a neumožňuje používání loga zkoušejícího. Žadatel o osvědčení je oprávněn používat toto osvědčení ve spojitosti s prohlášením o shodě se směrnicí EU, článek 15. (12) Datum (13) Osvědčení uděleno: Jméno a titul (14) Telefonní číslo, fax a e-mail

POLISH:

(1) Certyfikat zgodności | kompatybilność elektromagnetyczna (2) Numer rejestracyjny (3) Numer raportu (4) Wnioskodawca (5) Wyrób: Wkrętek elektryczny (6) Identyfikacja (7) Numer modelu (8) Znak towarowy (9) Ocena (10) Normy badań (11) Certyfikat zgodności jest oparty na ocenie próbki wyżej wymienionego produktu. Sprawozdanie techniczne i dokumentacja są do dyspozycji wnioskodawcy. Niniejszym zaświadcza się, że badana próbka jest zgodna ze wszystkimi przepisami załącznika II do dyrektywy Rady 2014/30/UE, w jej ostatnio zmienionej wersji, odnoszącymi się do dyrektywy EMC. Certyfikat nie stanowi oceny produkcji i nie zezwala na użycie logo laboratorium. Wnioskujący o certyfikat jest upoważniony do wykorzystania tego certyfikatu w związku z deklaracją zgodności UE na mocy art. 15 dyrektywy. (12) Data (13) Certyfikat wydany przez: Imię, nazwisko i tytuł (14) Numer telefonu, faks i adres e-mail

FRENCH:

(1) Certificat de conformité | Compatibilité électromagnétique (2) Numéro d'enregistrement (3) Numéro du rapport (4) Demandeur (5) Produit : Visseuse électrique (6) Identification (7) Numéro de modèle (8) Marque (9) Classification (10) Normes d'essai (11) Le certificat de conformité est basé sur une évaluation d'un échantillon du produit susmentionné. Le rapport technique et la documentation sont à la disposition du demandeur. Ce document certifie que l'échantillon testé est conforme à l'ensemble des dispositions de l'Annexe II de la Directive 2014/30/UE du Conseil, dans sa dernière version modifiée, faisant référence à la Directive CEM. Le certificat n'implique aucune évaluation de la production et ne permet pas l'utilisation du logo Lab. Le demandeur du certificat est autorisé à utiliser ce certificat dans le cadre de la déclaration de conformité UE à l'Article 15 de la Directive. (12) Date (13) Certifié par : Nom et titre (14) Numéro de téléphone, fax et e-mail

SPANISH:

(1) Certificado de conformidad | Compatibilidad electromagnética (2) Número de registro (3) Número de informe (4) Solicitante (5) Producto: Atornillador eléctrico (6) Identificación (7) Número de modelo (8) Marca comercial (9) Clasificación (10) Normas de prueba (11) El certificado de conformidad se basa en una evaluación de una muestra del producto mencionado anteriormente. El informe técnico y la documentación se encuentran a disposición del solicitante. Se certifica que la muestra puesta a prueba cumple con todas las disposiciones del Anexo II de la Directiva del Consejo 2014/30/UE, en su versión enmendada más reciente, denominada "Directiva CEM". El certificado no implica una evaluación de la producción ni permite el uso del logotipo del laboratorio. El solicitante del certificado está autorizado a usar el presente certificado en relación con la declaración de conformidad de la UE respecto del Artículo 15 de la Directiva. (12) Fecha (13) Certificado por: Nombre y cargo (14) Número de teléfono, fax y correo electrónico

GERMAN:

(1) Konformitätsbescheinigung | Elektromagnetische Verträglichkeit (2) Registriernummer (3) Berichtsnummer (4) Antragsteller (5) Produkt: Elektroschrauber (6) Identifizierung (7) Modellnummer (8) Eingetragenes Markenzeichen (9) Bewertung (10) Prüfnormen (11) Die Konformitätsbescheinigung basiert auf einer Bewertung einer Probe des oben genannten Produkts. Technischer Bericht und Dokumentation stehen dem Antragsteller zur Verfügung. Hiermit wird bescheinigt, dass das geprüfte Muster allen Bestimmungen des Anhangs II der Richtlinie 2014/30/EU des Rates in der zuletzt geänderten Fassung, bezogen auf die EMV-Richtlinie, entspricht. Das Zertifikat impliziert keine Bewertung der Produktion und erlaubt keine Verwendung des Lab-Logos. Der Antragsteller des Zertifikats ist berechtigt, dieses Zertifikat im Zusammenhang mit der EU-Konformitätserklärung nach Artikel 15 der Richtlinie zu verwenden. (12) Datum (13) Zertifiziert durch: Name und Titel (14) Telefonnummer, Fax und E-Mail

CERTIFICATE

① **CERTIFICATE**
Of Conformity
Machinery Directive 2006/42/EC

② Registration No.: AT0117011144M

③ Report No.: R0117011144M

④ Applicant : HIOS Inc.
1-16-5 Akiyama, Matsudo City, Chiba Pref., 270-2223, Japan

⑤ Product : Electric Screw Driver

⑥ Identification ⑦ Model No. : BL-7000X, BL-7000, BL-7000SB

⑧ Trade Mark : HIOS

⑨ Rating : 20/30V \approx , 650mA, 20W

⑩ Test Standards : EN 60745-1: 2009+A11: 2010
EN 60745-2-2: 2014

⑪ The certificate of conformity is based on an evaluation of a sample of the above mentioned product. Technical report and documentation are at the applicant's disposal. This is to certify that the tested sample is in conformity with all revision of Annex I of Council Directive Machinery Directive 2006/42/EC. The certificate does not imply assessment of the series-production of the product and does not permit the use of lab's logo. The applicant of the certificate is authorized to use this certificate in connection with EC declaration of conformity.



⑫ Jan. 20, 2017
Date



The CE Marking may only be used if all relevant and effective EC Directives are complied with



Shenzhen Anbotek Compliance Laboratory Limited
1/F., Building 1, SEC Industrial Park, No.0409 Qianhai Road Tel: (86)755-26066544
Nanshan District, Shenzhen, Guangdong, China Fax: (86)755-26014772
[Http://www.anbotek.com](http://www.anbotek.com) Email: service@anbotek.com

⑭

ITALIAN:

(1) Certificato di conformità (2) Numero di registrazione (3) Numero del report (4) Richiedente (5) Prodotto: Cacciavite elettrico (6) Identificazione (7) Numero del modello (8) Marchio (9) Classificazione (10) Standard del test (11) Il certificato di conformità è basato sulla valutazione di un campione del suddetto prodotto. Relazione tecnica e documentazione sono a disposizione del richiedente. Questo documento certifica che il campione sottoposto a test è conforme a tutte le revisioni dell'Allegato I della Direttiva Macchine 2006/42/CE del Consiglio. Il certificato non implica la valutazione della produzione di serie e non consente l'uso del logo del Laboratorio. Il richiedente del certificato è autorizzato a utilizzare questo certificato in combinazione con la dichiarazione di conformità UE. (12) Data (13) Certificato da: Nome e titolo (14) Numero telefonico, fax e e-mail

CZECH:

(1) Osvědčení o shodě (2) Registrační číslo (3) Číslo zprávy (4) Žadatel (5) Výrobek: Elektrický šroubovák (6) ID (7) Číslo modelu (8) Značka (9) Hodnocení (10) Standardy zkoušení (11) Osvědčení o shodě je založeno na vyhodnocení vzorku výše uvedeného výrobku. Technická zpráva a dokumentace jsou k dispozici u žadatele. Tímto potvrzujeme, že zkoušený vzorek je v souladu se všemi revidovanými verzemi přílohy I směrnice Rady 2006/42/ES o strojních zařízeních. Osvědčení nepředstavuje posouzení sériové výroby a neumožňuje používání loga zkoušejícího. Žadatel o osvědčení je oprávněn používat toto osvědčení ve spojitosti s ES prohlášením o shodě. (12) Datum (13) Osvědčení uděleno: Jméno a titul (14) Telefonní číslo, fax a e-mail

POLISH:

(1) Certyfikat zgodności (2) Numer rejestracyjny (3) Numer raportu (4) Wnioskodawca (5) Wyrób: Wkrętak elektryczny (6) Identyfikacja (7) Numer modelu (8) Znak towarowy (9) Ocena (10) Normy badań (11) Certyfikat zgodności jest oparty na ocenie próbki wyżej wymienionego produktu. Sprawozdanie techniczne i dokumentacja są do dyspozycji wnioskodawcy. Niniejszym zaświadcza się, że badana próbka jest zgodna ze wszystkimi rewizjami załącznika I do dyrektywy maszynowej Rady 2006/42/UE. Certyfikat nie stanowi oceny produkcji seryjnej wyrobu i nie zezwala na używanie logo laboratorium. Wnioskujący o certyfikat jest upoważniony do wykorzystania tego certyfikatu w związku z deklaracją zgodności WE. (12) Data (13) Certyfikat wydany przez: Imię, nazwisko i tytuł (14) Numer telefonu, faks i adres e-mail

FRENCH:

(1) Certificat de conformité (2) Numéro d'enregistrement (3) Numéro du rapport (4) Demandeur (5) Produit : Visseuse électrique (6) Identification (7) Numéro de modèle (8) Marque (9) Classification (10) Normes d'essai (11) Le certificat de conformité est basé sur une évaluation d'un échantillon du produit susmentionné. Le rapport technique et la documentation sont à la disposition du demandeur. Ce document certifie que l'échantillon testé est conforme à l'ensemble des révisions de l'Annexe I de la Directive 2006/42/EC du Conseil relative aux machines. Le certificat n'implique aucune évaluation de la production en série du produit et ne permet pas l'utilisation du logo Lab. Le demandeur du certificat est autorisé à utiliser ce certificat dans le cadre de la déclaration de conformité CE. (12) Date (13) Certifié par : Nom et titre (14) Numéro de téléphone, fax et e-mail

SPANISH:

(1) Certificado de conformidad (2) Número de registro (3) Número de informe (4) Solicitante (5) Producto: Atornillador eléctrico (6) Identificación (7) Número de modelo (8) Marca comercial (9) Clasificación (10) Normas de prueba (11) El certificado de conformidad se basa en una evaluación de una muestra del producto mencionado anteriormente. El informe técnico y la documentación se encuentran a disposición del solicitante. Esto sirve para certificar que la muestra puesta a prueba cumple con todas las modificaciones al Anexo I de la Directiva de Máquinas de la Directiva del Consejo 2006/42/EC. El certificado no implica una evaluación de la producción en serie del producto ni permite el uso del logotipo del laboratorio. El solicitante del certificado está autorizado a usar el presente certificado en relación con la declaración de conformidad de la CE. (12) Fecha (13) Certificado por: Nombre y cargo (14) Número de teléfono, fax y correo electrónico

GERMAN:

(1) Konformitätsbescheinigung (2) Registriernummer (3) Berichtsnummer (4) Antragsteller (5) Produkt: Elektroschrauber (6) Identifizierung (7) Modellnummer (8) Eingetragenes Markenzeichen (9) Bewertung (10) Prüfnormen (11) Die Konformitätsbescheinigung basiert auf einer Bewertung einer Probe des oben genannten Produkts. Technischer Bericht und Dokumentation stehen dem Antragsteller zur Verfügung. Hiermit wird bescheinigt, dass das geprüfte Muster mit allen Änderungen des Anhangs I der Maschinenrichtlinie 2006/42/EG des Rates übereinstimmt. Das Zertifikat beinhaltet keine Beurteilung der Serienproduktion des Produkts und erlaubt nicht die Verwendung des Lab-Logos. Der Antragsteller des Zertifikats ist berechtigt, dieses Zertifikat in Verbindung mit der EG-Konformitätserklärung zu verwenden. (12) Datum (13) Zertifiziert durch: Name und Titel (14) Telefonnummer, Fax und E-Mail

① **EU DECLARATION OF CONFORMITY**

② 2018/11/20

③ We, HIOS Inc.
1-16-5, AKIYAMA, MATSUDO-CITY
CHIBA PREF., JAPAN 270-2223

Note: Address number was changed from 111-6 to 1-16-5 by Matsudo-city on Jan.27 2017

④ declare under our sole responsibility that
the product

⑤ Product Name: Electric screwdriver

⑥ Model series: BLG-4000, BLG-4000BC1, BLG-4000BC2 and BLG-4000ZERO1 series

BLG-5000, BLG-5000BC1, BLG-5000BC2 and BLG-5000ZERO1 series

BL-2000, BL-5000, BL-5020 and BL-7000 series

CL-2000, CL-7000NL and CL-9000NL series, SS-2000 and SS-7000 series

⑦ Note: Individual Model is followed by - after name of series.

⑧ to which this declaration is in conformity

with the following standard(s)

EN 60745-1:2009+A11:2010

EN 60745-2-2:2010

EN 61000-3-2:2014

EN 61000-3-3:2013

EN 61000-6-2:2005

⑨ following the provisions of Directive(s)
2006/42/EC, 2014/30/EU

⑩ 
Kazuo Sugimoto

Adviser
Overseas Sales.
HIOS Inc.

ITALIAN:

(1) Dichiarazione di conformità UE (2) Data (3) Noi (4) dichiariamo sotto la nostra responsabilità che il prodotto (5) Nome del prodotto: Cacciavite elettrico (6) Serie modello (7) Nota: Ogni modello è seguito da - dopo il nome della serie (8) per cui viene emessa tale dichiarazione è in conformità ai seguenti standard (9) secondo le disposizioni delle direttive (10) Nome e titolo

CZECH:

(1) Prohlášení o shodě EU (2) Datum (3) Naše společnost (4) na vlastní odpovědnost prohlašuje, že výrobek (5) Název výrobku: Elektrický šroubovák (6) Model série: (7) Poznámka: Po konkrétním modelu je uveden název série (8) je v souladu s těmito standardy (9) splňujícími ustanovení normy: (10) Jméno a titul

POLISH:

(1) Deklaracja zgodności UE (2) Data (3) Oświadczamy (4) na naszą wyłączną odpowiedzialność, że wyrób, (5) Nazwa wyrobu: Wkrętak elektryczny (6) Model seria (7) Uwaga: Po nazwie serii a przed oznaczeniem modelu występuje znak „-” (8) dla którego niniejsza deklaracja pozostaje w zgodzie z poniższą(-ymi) normą(-ami) (9) zgodnie z przepisami dyrektyw(y) (10) Nazwa i tytuł

FRENCH:

(1) Déclaration de conformité UE (2) Date (3) Nous (4) déclarons sous notre seule responsabilité que le produit (5) Nom du produit : Visseuse électrique (6) Série du modèle (7) Remarque : Le modèle individuel est suivi d'un tiret – après le nom de la série (8) concerné par la présente déclaration est conforme à la ou aux normes suivantes (9) suivant les dispositions de la ou des Directive(s) (10) Nom et titre

SPANISH:

(1) Declaración de conformidad de la UE (2) Fecha (3) Nosotros (4) declaramos bajo nuestra entera responsabilidad que el producto (5) Nombre del producto: Atornillador eléctrico (6) Modelo/Serie (7) Nota: El modelo individual aparece seguido de – luego del nombre de la serie (8) mencionado en esta declaración está en conformidad con la(s) siguiente(s) norma(s) (9) de acuerdo con las disposiciones de (las) Directiva(s) (10) Nombre y cargo

GERMAN:

(1) EU-Konformitätserklärung (2) Datum (3) Wir (4) erklären unter unserer alleinigen Verantwortung, dass das Produkt (5) Produktname: Elektroschrauber (6) Modellreihe (7) Hinweis: Auf das Einzelmodell folgt - nach dem Namen der Serie (8) mit denen diese Erklärung mit der folgenden Norm(en) übereinstimmt (9) nach den Bestimmungen der Richtlinie(n) (10) Name und Titel



Assembly · Industrial · Precision Fastening · Automation

HIOS BL-Serie Bedienungsanleitung

Wichtig: Bitte lesen und bewahren Sie die Bedienungsanleitung auf.
Warnhinweis: Bei der Verwendung von Elektrowerkzeugen sollten die folgenden grundlegenden Sicherheitsvorkehrungen stets beachtet werden, um das Risiko von Bränden, elektrischen Schlägen oder Verletzungen zu verringern.

Vorsichtsmaßnahmen

1. Halten Sie den Arbeitsbereich sauber: Unordentliche Bereiche und Bänke können zu Verletzungen führen.
2. Berücksichtigen Sie das Umfeld des Arbeitsbereichs: Setzen Sie die Werkzeuge keinem Regen aus. Verwenden Sie Werkzeuge nicht an feuchten oder nassen Orten. Den Arbeitsbereich gut beleuchtet halten. Verwenden Sie das Werkzeug niemals in einem Bereich mit gefährlichen Gegenständen. (Benzin, Benzol, Verdüner, Gaskleber, metallische Gegenstände usw.)
3. Sichere Arbeit: Verwenden Sie Spannzangen oder einen Schraubstock, um das Werkstück zu halten.
4. Schutz vor Stromschlag: Vermeiden Sie Körperkontakt mit geerdeten Oberflächen.
5. Von Kindern und unbefugtem Personal fernhalten: Verbieten Sie Kindern oder unbefugten Personen, das Werkzeug zu benutzen.
6. Lagerung von unbenutzten Werkzeugen: Bei Nichtgebrauch sollten die Werkzeuge an einem trockenen und hohen oder verschlossenen Ort gelagert werden.
7. Schlüssel und Einstellschlüssel entfernen: Machen Sie es sich zur Gewohnheit, zu überprüfen, ob die Schlüssel und Einstellschlüssel vom Werkzeug entfernt wurden, bevor Sie es einschalten.
8. Verwenden Sie das richtige Werkzeug: Achten Sie bei der Verwendung des Werkzeugs auf die richtige Nennleistung und Ausführung für die jeweilige Arbeit.
9. Tragen Sie angemessene Kleidung: Tragen Sie keine lose Kleidung und keinen Schmuck, da diese in beweglichen Teilen hängen bleiben können. Tragen Sie einen Kopfschutz, um langes Haar aufzunehmen.
10. Verwenden Sie eine Schutzbrille: Verwenden Sie auch eine Gesichtsmaske oder Staubmaske, wenn bei den Arbeiten Staub entsteht.
11. Das Netzkabel nicht missbrauchen: Tragen Sie das Werkzeug niemals an seinem Kabel und ziehen Sie auch nicht daran, um es von der Steckdose zu trennen. Halten Sie das Kabel von Hitze, Öl und scharfen Kanten fern.
12. Nicht übergreifen: Stets auf sicheren Stand und Gleichgewicht achten.
13. Werkzeuge mit Sorgfalt warten: Halten Sie die Werkzeuge sauber, um eine bessere und sicherere Leistung zu erzielen. Befolgen Sie die Anweisungen zum Schmieren und Wechseln von Zubehör. Um das Werkzeug über einen längeren Zeitraum sicher zu verwenden, führen Sie regelmäßige Inspektionen am Werkzeug durch und wenden Sie sich bei Beschädigungen an ASG. Halten Sie die Hände trocken, sauber und frei von Öl und Fett. Verlängerungskabel regelmäßig prüfen und bei Beschädigung austauschen.
14. Werkzeuge vom Stromnetz trennen: Wenn das Werkzeug nicht in Gebrauch ist, wie z. B. beim Anbringen und Entfernen des Meißels, dem Wechseln der Kohlebürste, der Inspektion oder der Reinigung, trennen Sie das Werkzeug von der Steckdose.
15. Vermeiden Sie unbeabsichtigtes Starten: Achten Sie darauf, dass der Schalter beim Einstecken ausgeschaltet ist. Tragen Sie das Werkzeug

nicht mit dem Finger auf dem Schalter.

16. Bleiben Sie wachsam: Bleiben Sie immer wachsam, verwenden Sie gesunden Menschenverstand und bedienen Sie das Werkzeug nicht, wenn Sie müde sind.
17. Überprüfen Sie beschädigte Teile: Vor der Verwendung des Werkzeugs sollten beispielsweise eine beschädigte Schutzabdeckung oder andere Teile sorgfältig überprüft werden, um festzustellen, ob das Werkzeug ordnungsgemäß und wie vorgesehen funktioniert.
18. Erden Sie das Werkzeug.
19. Es braucht nur wenig Druck, bis ein Push-to-Start-Werkzeug in Betrieb geht.

Vorsichtsmaßnahmen im Betrieb

1. Wenn es Probleme gibt, demontieren Sie das Werkzeug nicht. Stoppen Sie den Betrieb und kontaktieren Sie umgehend ASG.
2. Schmieren Sie das Werkzeug niemals mit Sprühöl oder ähnlichen Schmierstoffen.
3. Das Werkzeug nicht fallenlassen, anstoßen oder missbräuchlich verwenden.
4. Verwenden Sie niemals Chemikalien, um die Gehäuseabdeckung abzuwischen
5. Verwenden Sie nur die richtige Spannung.
6. Ziehen Sie nicht am Netzkabel, wenn Sie den Stecker aus der Steckdose ziehen. Greifen Sie den Stecker.
7. Aus Sicherheitsgründen darf der Wert der Drehmomenteinstellmutter auf der Drehmomenteinstellskala nicht auf einen Wert über 10 eingestellt werden
8. Verwenden Sie das Werkzeug intermittierend: (Beispiel: 0.5 Sekunden EIN, 4,5 Sekunden AUS)
9. Ziehen Sie nicht mehr als 720 Gewindeschrauben in einer Stunde an.
10. Dieses Werkzeug ist nicht zum Anziehen von Holzschrauben geeignet
11. Stellen Sie den Netzschalter auf „AUS (OFF)“, bevor Sie das Werkzeug in den Rückwärtsgang schalten.
12. Wenn das Werkzeug nicht verwendet wird, schalten Sie das Werkzeug aus und ziehen Sie den Netzstecker.
13. Im Push-to-Start-Modus schaltet sich der Treiber automatisch ein, wenn Druck auf das Bit-Ende ausgeübt wird.
14. Heben Sie den Schrauber im Push-to-Start-Modus nicht vom Schraubenkopf an, bis die Drehung gestoppt ist.

Anweisungen zur Erdung

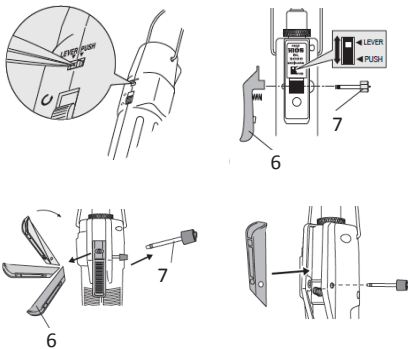
Das Werkzeug sollte während des Gebrauchs geerdet werden, um den Bediener vor Stromschlägen zu schützen.

Betriebsverfahren

1. Verwenden Sie die Drehmomenteinstellmutter, um die gewünschte Leistungseinstellung auszuwählen.
2. Befestigen Sie den Bit am Schraubendreher
3. Drehen Sie den Schalter „VORW./RÜCKW. (FOR/REV)“ auf „AUS (OFF)“ und schließen Sie den Stecker des Drehers an eine Steckdose an.
4. Drehen Sie den Schalter entweder auf „VORW. (FOR)“ oder „RÜCKW. (REV)“, um den Schraubendreher zu starten.
5. Betätigen Sie die Kupplung, bis die Schraube mit dem eingestellten Drehmoment angezogen ist.
6. Schalten Sie immer die Stromversorgung aus, bevor Sie die Drehrichtungseinstellung umkehren.
7. Wenn Sie eine angezogene Schraube lösen, drehen Sie den Schalter „VORW./RÜCKW. (FOR/REV)“ auf „RÜCKW. (REV)“ und lösen Sie ihn in umgekehrter Richtung.

Push-to-Start-Modus:

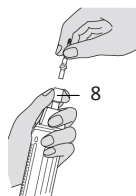
- BL-3000: Verwenden Sie eine Pinzette, um den Hebelstart auf Drücken-Starten zu schalten
- BL-5000: Drehen Sie die Sechskantschraube, um den Schalthebel zu lösen, und stellen Sie den Startschalter in die Druckposition. Verwenden Sie es, ohne die Sechskantschraube und den Schalthebel zu befestigen.
- BL-7000: Drehen Sie die Sechskantschraube, um den Schalthebel zu lösen, und bringen Sie den Schalthebel wieder auf den Kopf.



6	schalthebel
7	Sechskantschraube

Einen Bit befestigen

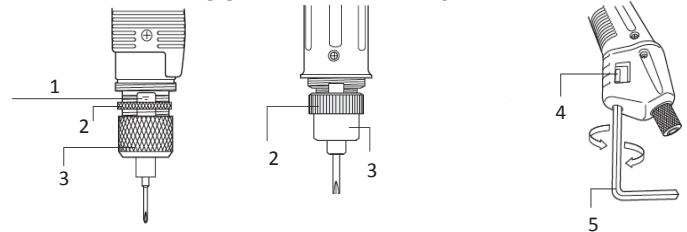
- Vorsicht: Achten Sie beim Anbringen des Bits immer darauf, dass der FOR/AUS/REV-Schalter des Treibers auf AUS steht oder dass der Netzstecker des Treibers aus der Steckdose gezogen wurde.
- Verwenden Sie die richtige Bitgröße. Um den Meißel einzusetzen, drücken oder ziehen Sie den Gelenkwellenring am Ende des Mitnehmers nach oben und setzen Sie den Meißel ein. Überprüfen Sie, ob sich das Bit nach dem Einsetzen nicht löst.



8 Gelenkwellenmanschette

Verfahren zur Drehmomenteinstellung

- Verwenden Sie die Drehmomenteinstellmutter, um die gewünschte Leistungseinstellung auszuwählen. Beachten Sie, dass diese Einstellung als Näherungswert zu verstehen ist. Stellen Sie die Einstellung durch Lösen des Anschlags der Einstellmutter und Einstellen der Drehmomenteinstellmutter ein. Wenn die Einstellung vorgenommen wurde, ziehen Sie den Stopper der Drehmomenteinstellmutter wieder fest an. Wiederholen Sie diesen Vorgang, um die entsprechende Dichtigkeit zu ermitteln. Verwenden Sie zur Überprüfung einen Drehmomenttester.
- Der BL-2000 verfügt über ein Doppelmutterssystem (Mutterbefestigungsring und Drehmomentverstellmutter), um ein Lösen durch Stöße oder Vibrationen am Schraubendreher zu vermeiden.
- BL-3000: Nehmen Sie die Einstellung vor, indem Sie den Mutterring nach oben drücken, die Drehmomenteinstellmutter entfernen und so drehen, dass die Spitze über der Mutter mit der Nut übereinstimmt.
- BL-5000, BL-7000: Stellen Sie die Drehmomenteinstellmutter mit dem mitgelieferten Inbusschlüssel ein.

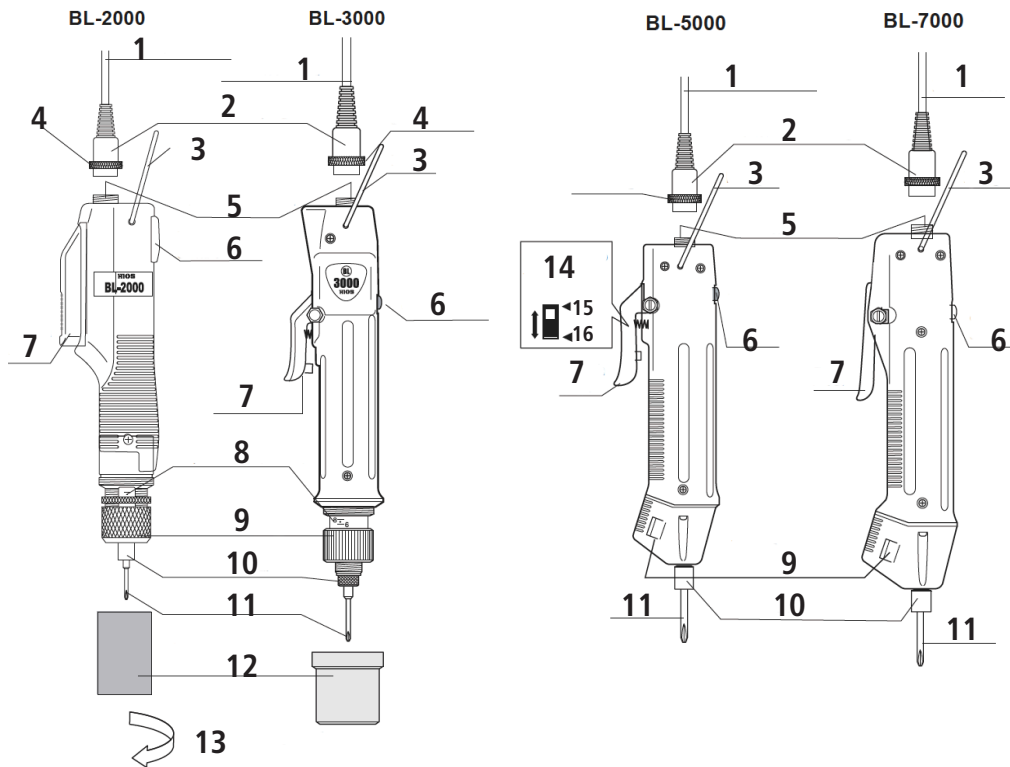


1	Drehmomentskala
2	Mutter Sicherungsring
3	Drehmomenteinstellmutter
4	Drehmomenteinstellskala
5	5-mm-Sechskantmutter L Schlüssel

Reparaturen

Kontaktieren Sie ASG bei Fragen oder Bedenken unter +1-888-486-6163 oder asginfo@asg-jergens.com

Teile



1	Schraubendreher-Kabel
2	Schraubendreher Kabelstecker
3	Aufhänger
4	Verbindungsring
5	Schraubendreheranschluss
6	Vorwärts/Rückwärts-Schalter
7	schalthebel
8	Einstellschraube (Drehmomenteinstellskala)
9	Drehmomenteinstellmutter
10	Gelenkwellenmanschette
11	Bit
12	Drehmomenteinstellmutter-Schutzabdeckung
13	Drehen Sie die Schutzabdeckung gegen den Uhrzeigersinn, um sie abzunehmen und das Drehmoment einzustellen.
14	Hebel-/Druck-Startschalter
15	Hebel
16	Push-to-Start

Zubehör

- Bits
- Drehmomenteinstellfeder
- Für den BL-2000 gibt es zwei Drehmomenteinstellfedern
- Sechskantmutter L Schraubenschlüssel (BL-5000, BL-7000)



HIOS BL-Serie Bedienungsanleitung

Spezifikationen

Hebel		BL-2000, BL-200SS	BL-3000, BL- 3000SS*	BL-5000, BL-5000SS	BL-5000-15	BL-5020	BL-7000	BL-7000HT
Push-to-Start								
Ausgangsdrehmomentbereich	N.m	0.02-0.2	0.2-0.55 0.2-0.35*	0.2-1.2	0.3-1	0.5-2	0.7-2.8	0.7-3.5
	lbf.in	0.17-1.7	1.7-4.8 1.7-4.8*	1.7-10	2.6-10	4.3-17.4	6.1-24	6.1-30
	kgf.cm	(.02-2)	(2-5.5) (2-3.5)*	(2-12)	(3-10)	(5-20)	(7-28)	(7-35)
Drehmomentschaltung		Stufenlose Einstellung						
Leerlaufdrehzahl (U/ min) ±10 %	HOCH (HI)	990	980	900	1500	750	960	700
	NIEDRIG (LO)	650	680	590	1000	500	630	500
Schraubengröße	Maschinenschraube	1.0-2.3	1.7-2.3	2.0-3.0	2.0-3.0	2.0-4.0	2.6-5.0	2.6-4.0
	Gewindegewindeschraube	1.0-2.0	2.0-2.3	2.0-3.0	2.0-3.0	2.0-3.0	2.6-4.0	2.6-4.0
Gewicht (g)		254	320	360	360	360	640	640
Bit-Typ	HIOS Schaft	H4				H5, 5HEX		
	Sechskantschaft	—	1/4"Hex	H5 und 5Hex oder 1/4"Hex		1/4" Hex		
Netzteil	T-45BL	X	X	X	X*	X*	—	—
	T-70BL	X	X	X	X*	X*	X	X
Kabellänge	Standard	A	B	B	B	B	C	C
	BL-OPC	D	E	E	E	E	E	E
	BL-ESD	A	A	A	A	A	A	A
	BLQ-CR	F	H	H	H	H	I	I
	BLQ-ESD	F	F	F	F	F	F	F
	BLQ-CR-ESD	F	F	F	F	F	F	F
	BL-SS	A	B	B	B	—	—	—

HINWEIS: Verwenden Sie bei den *-Modellen nur 2 (HI) Steckdosen. Modelle funktionieren möglicherweise nicht richtig an einer 1(LOW) Steckdose.

Der Ausgangsdrehmomentbereich und die Drehzahl in den obigen Spezifikationen gelten für BL-2000, BL-3000 mit dem Netzteil T-45BL oder BL-5000 und BL-7000 mit dem Netzteil T-70BL.

* Das speziell für OPC geeignete Kabel ist vom Typ 6PIN. (*Reguläres Kabel ist vom Typ 5PIN) Kombierter Schraubendreher (z.B. ESD+OPC) ist ein entsprechendes Kabel (2m) angebracht.

Referenztable für Schraubendreherkabel

Typ	Angehängtes Kabel
A	2m Kabel ESD (5P)
B	1,5-m.Kabel (5P)
C	2-m-Kabel (5P)
D	2-m-Kabel ESE (6P)
E	2-m-Kabel (6P)
F	2m Kabel ESD (5P) und inklusive ESD-Vinylschlauch
G	2m Kabel ESD (5P) und inklusive Vinylschlauch
H	1.5m Kabel (5P) und inklusive Vinylschlauch
I	2m Kabel (5P) und inklusive Vinylschlauch

Kompatible Stromversorgung

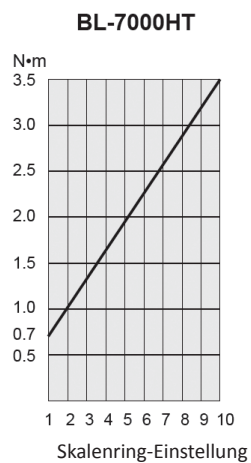
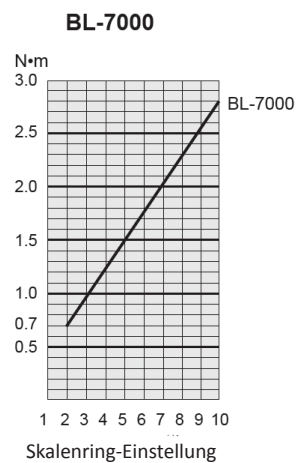
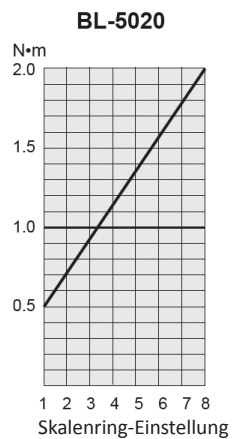
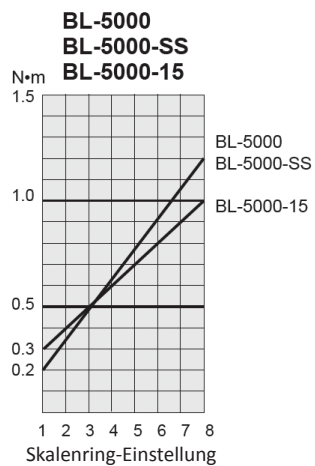
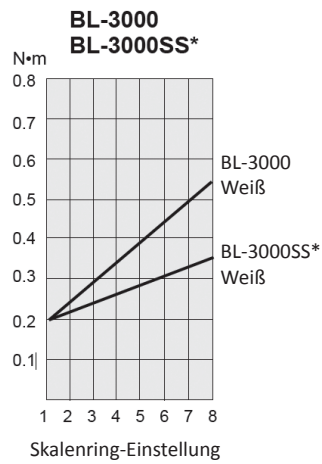
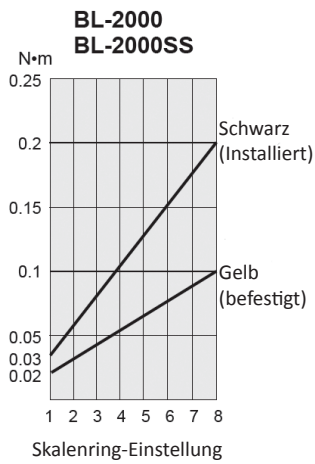
Netzteilmodell	Maximale Anzahl Schraubendreher			
	BL-2000	BL-3000	BL-5000	BL-7000
T-45BL	1	1	1	—
T-70BL	1	1	1	1



HIOS BL-Serie

Bedienungsanleitung

Ungefähre Führung des Abtriebsdrehmoments (bei HI-Eingang)





CERTIFICATE

① **CERTIFICATE**
Of Conformity
EU Council Directive 2014/30/EU
Electromagnetic Compatibility

② Registration No.: AT011605210E
③ Report No.: R011605210E

- ④ Applicant : HIOS Inc.
111-6 Akiyama, Matsudo City, Chiba Pref., 270-2223, Japan
- ⑤ Product : Electric Screw Driver
- ⑥ Identification ⑦ Model No. : BL-7000X, BL-7000SB, BL-7000
- ⑧ Trade Mark : HIOS
- ⑨ Rating : 20/30V DC, 650mA, 20W
- ⑩ Test Standards : EN 55014-1: 2006+A1: 2009+A2: 2011
EN 61000-3-2: 2014
EN 61000-3-3: 2013
EN 55014-2: 2015
EN 61000-6-2:2005

⑪ The certificate of conformity is based on an evaluation of a sample of the above-mentioned product. Technical report and documentation are at the applicant's disposal. This is to certify that the tested sample is in conformity with all provisions of Annex II of Council Directive 2014/30/EU, in its latest amended version, referred to EMC Directive. The certificate does not imply assessment of the production and does not permit the use of Lab's logo. The applicant of the certificate is authorized to use this certificate in connection with EU declaration of conformity to Article 15 of the Directive.

⑬ Certified by



Tom Chen
Tom Chen
Manager

⑫ May 30, 2016
Date

CE The CE Marking may only be used if all relevant and effective EU Directives are complied with **CE**

Shenzhen Anbotek Compliance Laboratory Limited
1/F., Building 1, SEC Industrial Park, No.0409 Qianhai Road, Tel: (86)755-26066544
Nanshan District, Shenzhen, Guangdong, China Fax: (86)755-26014772 ⑭
[Http://www.anbotek.com](http://www.anbotek.com) Email: service@anbotek.com



Assembly · Industrial · Precision Fastening · Automation

ITALIAN:

(1) Certificato di Conformità | Compatibilità elettromagnetica (2) Numero di registrazione (3) Numero del report (4) Richiedente (5) Prodotto: Cacciavite elettrico (6) Identificazione (7) Numero del modello (8) Marchio (9) Classificazione (10) Standard del test (11) Il certificato di conformità è basato sulla valutazione di un campione del suddetto prodotto. Relazione tecnica e documentazione sono a disposizione del richiedente. Questo documento certifica che il campione sottoposto a test è conforme a tutte le disposizioni dell'Allegato II della Direttiva 2014/30/UE del Consiglio, nella versione modificata più recente, di cui alla Direttiva EMC. Il certificato non implica la valutazione della produzione e non consente l'uso del logo del Laboratorio. Il richiedente del certificato è autorizzato a utilizzare questo certificato in combinazione con la dichiarazione di conformità UE di cui all'Articolo 15 della Direttiva. (12) Data (13) Certificato da: Nome e titolo (14) Numero telefonico, fax e e-mail

CZECH:

(1) Osvědčení o shodě | Elektromagnetická kompatibilita (2) Registrační číslo (3) Číslo zprávy (4) Žadatel (5) Výrobek: Elektrický šroubovák (6) ID (7) Číslo modelu (8) Značka (9) Hodnocení (10) Standardy zkoušení (11) Osvědčení o shodě je založeno na vyhodnocení vzorku výše uvedeného výrobku. Technická zpráva a dokumentace jsou k dispozici u žadatele. Tímto potvrzujeme, že zkoušený vzorek je ve shodě se všemi ustanoveními přílohy II aktuálního znění směrnice Rady 2014/30/EU o elektromagnetické kompatibilitě. Osvědčení nepředstavuje posouzení výroby a neumožňuje používání loga zkoušejícího. Žadatel o osvědčení je oprávněn používat toto osvědčení ve spojitosti s prohlášením o shodě se směrnicí EU, článek 15. (12) Datum (13) Osvědčení uděleno: Jméno a titul (14) Telefonní číslo, fax a e-mail

POLISH:

(1) Certyfikat zgodności | kompatybilność elektromagnetyczna (2) Numer rejestracyjny (3) Numer raportu (4) Wnioskodawca (5) Wyrób: Wkrętek elektryczny (6) Identyfikacja (7) Numer modelu (8) Znak towarowy (9) Ocena (10) Normy badań (11) Certyfikat zgodności jest oparty na ocenie próbki wyżej wymienionego produktu. Sprawozdanie techniczne i dokumentacja są do dyspozycji wnioskodawcy. Niniejszym zaświadcza się, że badana próbka jest zgodna ze wszystkimi przepisami załącznika II do dyrektywy Rady 2014/30/UE, w jej ostatnio zmienionej wersji, odnoszącymi się do dyrektywy EMC. Certyfikat nie stanowi oceny produkcji i nie zezwala na użycie logo laboratorium. Wnioskujący o certyfikat jest upoważniony do wykorzystania tego certyfikatu w związku z deklaracją zgodności UE na mocy art. 15 dyrektywy. (12) Data (13) Certyfikat wydany przez: Imię, nazwisko i tytuł (14) Numer telefonu, faks i adres e-mail

FRENCH:

(1) Certificat de conformité | Compatibilité électromagnétique (2) Numéro d'enregistrement (3) Numéro du rapport (4) Demandeur (5) Produit : Visseuse électrique (6) Identification (7) Numéro de modèle (8) Marque (9) Classification (10) Normes d'essai (11) Le certificat de conformité est basé sur une évaluation d'un échantillon du produit susmentionné. Le rapport technique et la documentation sont à la disposition du demandeur. Ce document certifie que l'échantillon testé est conforme à l'ensemble des dispositions de l'Annexe II de la Directive 2014/30/UE du Conseil, dans sa dernière version modifiée, faisant référence à la Directive CEM. Le certificat n'implique aucune évaluation de la production et ne permet pas l'utilisation du logo Lab. Le demandeur du certificat est autorisé à utiliser ce certificat dans le cadre de la déclaration de conformité UE à l'Article 15 de la Directive. (12) Date (13) Certifié par : Nom et titre (14) Numéro de téléphone, fax et e-mail

SPANISH:

(1) Certificado de conformidad | Compatibilidad electromagnética (2) Número de registro (3) Número de informe (4) Solicitante (5) Producto: Atornillador eléctrico (6) Identificación (7) Número de modelo (8) Marca comercial (9) Clasificación (10) Normas de prueba (11) El certificado de conformidad se basa en una evaluación de una muestra del producto mencionado anteriormente. El informe técnico y la documentación se encuentran a disposición del solicitante. Se certifica que la muestra puesta a prueba cumple con todas las disposiciones del Anexo II de la Directiva del Consejo 2014/30/UE, en su versión enmendada más reciente, denominada "Directiva CEM". El certificado no implica una evaluación de la producción ni permite el uso del logotipo del laboratorio. El solicitante del certificado está autorizado a usar el presente certificado en relación con la declaración de conformidad de la UE respecto del Artículo 15 de la Directiva. (12) Fecha (13) Certificado por: Nombre y cargo (14) Número de teléfono, fax y correo electrónico

GERMAN:

(1) Konformitätsbescheinigung | Elektromagnetische Verträglichkeit (2) Registriernummer (3) Berichtsnummer (4) Antragsteller (5) Produkt: Elektroschrauber (6) Identifizierung (7) Modellnummer (8) Eingetragenes Markenzeichen (9) Bewertung (10) Prüfnormen (11) Die Konformitätsbescheinigung basiert auf einer Bewertung einer Probe des oben genannten Produkts. Technischer Bericht und Dokumentation stehen dem Antragsteller zur Verfügung. Hiermit wird bescheinigt, dass das geprüfte Muster allen Bestimmungen des Anhangs II der Richtlinie 2014/30/EU des Rates in der zuletzt geänderten Fassung, bezogen auf die EMV-Richtlinie, entspricht. Das Zertifikat impliziert keine Bewertung der Produktion und erlaubt keine Verwendung des Lab-Logos. Der Antragsteller des Zertifikats ist berechtigt, dieses Zertifikat im Zusammenhang mit der EU-Konformitätserklärung nach Artikel 15 der Richtlinie zu verwenden. (12) Datum (13) Zertifiziert durch: Name und Titel (14) Telefonnummer, Fax und E-Mail

CERTIFICATE

① **CERTIFICATE**
Of Conformity
Machinery Directive 2006/42/EC

② Registration No.: AT0117011144M

③ Report No.: R0117011144M

④ Applicant : HIOS Inc.
1-16-5 Akiyama, Matsudo City, Chiba Pref., 270-2223, Japan

⑤ Product : Electric Screw Driver

⑥ Identification ⑦ Model No. : BL-7000X, BL-7000, BL-7000SB

⑧ Trade Mark : HIOS

⑨ Rating : 20/30V $\overline{=}$, 650mA, 20W

⑩ Test Standards : EN 60745-1: 2009+A11: 2010
EN 60745-2-2: 2014

⑪ The certificate of conformity is based on an evaluation of a sample of the above mentioned product. Technical report and documentation are at the applicant's disposal. This is to certify that the tested sample is in conformity with all revision of Annex I of Council Directive Machinery Directive 2006/42/EC. The certificate does not imply assessment of the series-production of the product and does not permit the use of lab's logo. The applicant of the certificate is authorized to use this certificate in connection with EC declaration of conformity.



⑫ Jan. 20, 2017
Date



The CE Marking may only be used if all relevant and effective EC Directives are complied with



Shenzhen Anbotek Compliance Laboratory Limited
1/F., Building 1, SEC Industrial Park, No.0409 Qianhai Road Tel: (86)755-26066544
Nanshan District, Shenzhen, Guangdong, China Fax: (86)755-26014772
[Http://www.anbotek.com](http://www.anbotek.com) Email: service@anbotek.com

⑭

ITALIAN:

(1) Certificato di conformità (2) Numero di registrazione (3) Numero del report (4) Richiedente (5) Prodotto: Cacciavite elettrico (6) Identificazione (7) Numero del modello (8) Marchio (9) Classificazione (10) Standard del test (11) Il certificato di conformità è basato sulla valutazione di un campione del suddetto prodotto. Relazione tecnica e documentazione sono a disposizione del richiedente. Questo documento certifica che il campione sottoposto a test è conforme a tutte le revisioni dell'Allegato I della Direttiva Macchine 2006/42/CE del Consiglio. Il certificato non implica la valutazione della produzione di serie e non consente l'uso del logo del Laboratorio. Il richiedente del certificato è autorizzato a utilizzare questo certificato in combinazione con la dichiarazione di conformità UE. (12) Data (13) Certificato da: Nome e titolo (14) Numero telefonico, fax e e-mail

CZECH:

(1) Osvědčení o shodě (2) Registrační číslo (3) Číslo zprávy (4) Žadatel (5) Výrobek: Elektrický šroubovák (6) ID (7) Číslo modelu (8) Značka (9) Hodnocení (10) Standardy zkoušení (11) Osvědčení o shodě je založeno na vyhodnocení vzorku výše uvedeného výrobku. Technická zpráva a dokumentace jsou k dispozici u žadatele. Tímto potvrzujeme, že zkoušený vzorek je v souladu se všemi revidovanými verzemi přílohy I směrnice Rady 2006/42/ES o strojních zařízeních. Osvědčení nepředstavuje posouzení sériové výroby a neumožňuje používání loga zkoušejícího. Žadatel o osvědčení je oprávněn používat toto osvědčení ve spojitosti s ES prohlášením o shodě. (12) Datum (13) Osvědčení uděleno: Jméno a titul (14) Telefonní číslo, fax a e-mail

POLISH:

(1) Certyfikat zgodności (2) Numer rejestracyjny (3) Numer raportu (4) Wnioskodawca (5) Wyrób: Wkrętak elektryczny (6) Identyfikacja (7) Numer modelu (8) Znak towarowy (9) Ocena (10) Normy badań (11) Certyfikat zgodności jest oparty na ocenie próbki wyżej wymienionego produktu. Sprawozdanie techniczne i dokumentacja są do dyspozycji wnioskodawcy. Niniejszym zaświadcza się, że badana próbka jest zgodna ze wszystkimi rewizjami załącznika I do dyrektywy maszynowej Rady 2006/42/UE. Certyfikat nie stanowi oceny produkcji seryjnej wyrobu i nie zezwala na używanie logo laboratorium. Wnioskujący o certyfikat jest upoważniony do wykorzystania tego certyfikatu w związku z deklaracją zgodności WE. (12) Data (13) Certyfikat wydany przez: Imię, nazwisko i tytuł (14) Numer telefonu, faks i adres e-mail

FRENCH:

(1) Certificat de conformité (2) Numéro d'enregistrement (3) Numéro du rapport (4) Demandeur (5) Produit : Visseuse électrique (6) Identification (7) Numéro de modèle (8) Marque (9) Classification (10) Normes d'essai (11) Le certificat de conformité est basé sur une évaluation d'un échantillon du produit susmentionné. Le rapport technique et la documentation sont à la disposition du demandeur. Ce document certifie que l'échantillon testé est conforme à l'ensemble des révisions de l'Annexe I de la Directive 2006/42/EC du Conseil relative aux machines. Le certificat n'implique aucune évaluation de la production en série du produit et ne permet pas l'utilisation du logo Lab. Le demandeur du certificat est autorisé à utiliser ce certificat dans le cadre de la déclaration de conformité CE. (12) Date (13) Certifié par : Nom et titre (14) Numéro de téléphone, fax et e-mail

SPANISH:

(1) Certificado de conformidad (2) Número de registro (3) Número de informe (4) Solicitante (5) Producto: Atornillador eléctrico (6) Identificación (7) Número de modelo (8) Marca comercial (9) Clasificación (10) Normas de prueba (11) El certificado de conformidad se basa en una evaluación de una muestra del producto mencionado anteriormente. El informe técnico y la documentación se encuentran a disposición del solicitante. Esto sirve para certificar que la muestra puesta a prueba cumple con todas las modificaciones al Anexo I de la Directiva de Máquinas de la Directiva del Consejo 2006/42/EC. El certificado no implica una evaluación de la producción en serie del producto ni permite el uso del logotipo del laboratorio. El solicitante del certificado está autorizado a usar el presente certificado en relación con la declaración de conformidad de la CE. (12) Fecha (13) Certificado por: Nombre y cargo (14) Número de teléfono, fax y correo electrónico

GERMAN:

(1) Konformitätsbescheinigung (2) Registriernummer (3) Berichtsnummer (4) Antragsteller (5) Produkt: Elektroschrauber (6) Identifizierung (7) Modellnummer (8) Eingetragenes Markenzeichen (9) Bewertung (10) Prüfnormen (11) Die Konformitätsbescheinigung basiert auf einer Bewertung einer Probe des oben genannten Produkts. Technischer Bericht und Dokumentation stehen dem Antragsteller zur Verfügung. Hiermit wird bescheinigt, dass das geprüfte Muster mit allen Änderungen des Anhangs I der Maschinenrichtlinie 2006/42/EG des Rates übereinstimmt. Das Zertifikat beinhaltet keine Beurteilung der Serienproduktion des Produkts und erlaubt nicht die Verwendung des Lab-Logos. Der Antragsteller des Zertifikats ist berechtigt, dieses Zertifikat in Verbindung mit der EG-Konformitätserklärung zu verwenden. (12) Datum (13) Zertifiziert durch: Name und Titel (14) Telefonnummer, Fax und E-Mail



HIOS Inc.

1-16-5, AKIYAMA, MATSUDO-CITY
CHIBA PREF., JAPAN 270-2223
TEL. : +81 473 92 2001
FAX. : +81 473 92 7773

① **EU DECLARATION OF CONFORMITY**

② 2018/11/20

③ We, HIOS Inc.
1-16-5, AKIYAMA, MATSUDO-CITY
CHIBA PREF., JAPAN 270-2223

Note: Address number was changed from 111-6 to 1-16-5 by Matsudo-city on Jan.27 2017

④ declare under our sole responsibility that
the product

⑤ Product Name: Electric screwdriver

⑥ Model series: BLG-4000, BLG-4000BC1, BLG-4000BC2 and BLG-4000ZERO1 series
BLG-5000, BLG-5000BC1, BLG-5000BC2 and BLG-5000ZERO1 series
BL-2000, BL-5000, BL-5020 and BL-7000 series
CL-2000, CL-7000NL and CL-9000NL series, SS-2000 and SS-7000 series

⑦ Note: Individual Model is followed by - after name of series.

⑧ to which this declaration is in conformity

with the following standard(s)

EN 60745-1:2009+A11:2010
EN 60745-2-2:2010
EN 61000-3-2:2014
EN 61000-3-3:2013
EN 61000-6-2:2005

⑨ following the provisions of Directive(s)
2006/42/EC, 2014/30/EU

⑩ 
Kazuo Sugimoto

Adviser
Overseas Sales.
HIOS Inc.

ITALIAN:

(1) Dichiarazione di conformità UE (2) Data (3) Noi (4) dichiariamo sotto la nostra responsabilità che il prodotto (5) Nome del prodotto: Cacciavite elettrico (6) Serie modello (7) Nota: Ogni modello è seguito da - dopo il nome della serie (8) per cui viene emessa tale dichiarazione è in conformità ai seguenti standard (9) secondo le disposizioni delle direttive (10) Nome e titolo

CZECH:

(1) Prohlášení o shodě EU (2) Datum (3) Naše společnost (4) na vlastní odpovědnost prohlašuje, že výrobek (5) Název výrobku: Elektrický šroubovák (6) Model série: (7) Poznámka: Po konkrétním modelu je uveden název série (8) je v souladu s těmito standardy (9) splňujícími ustanovení normy: (10) Jméno a titul

POLISH:

(1) Deklaracja zgodności UE (2) Data (3) Oświadczamy (4) na naszą wyłączną odpowiedzialność, że wyrób, (5) Nazwa wyrobu: Wkrętak elektryczny (6) Model seria (7) Uwaga: Po nazwie serii a przed oznaczeniem modelu występuje znak „-” (8) dla którego niniejsza deklaracja pozostaje w zgodzie z poniższą(-ymi) normą(-ami) (9) zgodnie z przepisami dyrektyw(y) (10) Nazwa i tytuł

FRENCH:

(1) Déclaration de conformité UE (2) Date (3) Nous (4) déclarons sous notre seule responsabilité que le produit (5) Nom du produit : Visseuse électrique (6) Série du modèle (7) Remarque : Le modèle individuel est suivi d'un tiret – après le nom de la série (8) concerné par la présente déclaration est conforme à la ou aux normes suivantes (9) suivant les dispositions de la ou des Directive(s) (10) Nom et titre

SPANISH:

(1) Declaración de conformidad de la UE (2) Fecha (3) Nosotros (4) declaramos bajo nuestra entera responsabilidad que el producto (5) Nombre del producto: Atornillador eléctrico (6) Modelo/Serie (7) Nota: El modelo individual aparece seguido de – luego del nombre de la serie (8) mencionado en esta declaración está en conformidad con la(s) siguiente(s) norma(s) (9) de acuerdo con las disposiciones de (las) Directiva(s) (10) Nombre y cargo

GERMAN:

(1) EU-Konformitätserklärung (2) Datum (3) Wir (4) erklären unter unserer alleinigen Verantwortung, dass das Produkt (5) Produktname: Elektroschrauber (6) Modellreihe (7) Hinweis: Auf das Einzelmodell folgt - nach dem Namen der Serie (8) mit denen diese Erklärung mit der folgenden Norm(en) übereinstimmt (9) nach den Bestimmungen der Richtlinie(n) (10) Name und Titel



Assembly · Industrial · Precision Fastening · Automation

Seria HIOS BL Instrukcja obsługi

Ważne: Należy przeczytać i zachować instrukcję obsługi.

Ostrzeżenie: Podczas korzystania z narzędzi elektrycznych należy zawsze przestrzegać poniższych środków ostrożności, aby zredukować ryzyko pożaru, porażenia elektrycznego lub obrażeń ciała.

Środki ostrożności

1. Utrzymywać obszar roboczy w czystości: Zastawione obszary i stoły mogą przyczynić się do obrażeń ciała.
2. Należy uwzględnić środowisko pracy: Nie narażać narzędzi na działanie deszczu. Nie używać narzędzi w mokrych ani wilgotnych miejscach. Obszar pracy powinien być dobrze oświetlony. Nigdy nie używać narzędzi w miejscach, w których znajdują się niebezpieczne przedmioty i obiekty (benzyna, benzen, rozcieńczalniki, kleje w spreju, obiekty metaliczne itp.).
3. Bezpieczeństwo podczas pracy: Używać zacisków lub imadeł do utrzymywania obrabianych elementów.
4. Zabezpieczyć się przed porażeniem elektrycznym: Unikać kontaktu ciała z uziemionymi powierzchniami.
5. Przechowywać w miejscu niedostępnym dla dzieci i nieupoważnionych osób: Nie zezwalać na korzystanie z narzędzia dzieciom i nieupoważnionym osobom.
6. Przechowywać nieużywane narzędzia w odpowiedni sposób: Kiedy nie są używane, narzędzia należy przechowywać w suchym i wysokim lub zamkniętym miejscu.
7. Usunąć klucze regulacyjne: Należy wyrobić sobie nawyk upewniania się, że klucze regulacyjne zostały usunięte z narzędzia przed jego włączeniem.
8. Używać prawidłowego narzędzia: Używać narzędzia przeznaczonego do danej pracy, zgodnie z mocą znamionową i konstrukcją.
9. Stosować właściwą odzież: Nie nosić luźnej odzieży lub biżuterii, ponieważ mogą zaplątać się w ruchome części. Nosić osłonę głowy utrzymującą długie włosy.
10. Używać okularów ochronnych: Należy również używać ochrony twarzy lub maski przeciwpyłowej, jeśli dane zadanie jest związane z pyłem.
11. Nie przeciążać przewodu: Nigdy nie nosić narzędzia za przewód ani nie ciągnąć za przewód podczas odłączania od gniazdka. Trzymać przewód z dala od ciepła, oleju i ostrych krawędzi.
12. Nie sięgać za daleko: Stać stabilnie i zachowywać równowagę podczas wykonywania wszystkich czynności.
13. Obsługiwać narzędzia z dbałością: Utrzymywać czystość narzędzi, aby zapewnić lepszą i bezpieczniejszą eksploatację. Przestrzegać instrukcji dotyczących smarowania i wymiany akcesoriów. Aby używać narzędzia bezpiecznie przez dłuższy czas, należy wykonywać okresowe inspekcje narzędzia. W razie uszkodzeń skontaktować się z firmą ASG. Ręce powinny być suche, czyste i wolne od oleju lub smaru. Okresowo sprawdzać przedłużacze. Wymienić w razie uszkodzenia.
14. Odłączać narzędzia: Gdy narzędzie nie jest używane, np. podczas mocowania lub zdejmowania końcówki, wymiany szczotki węglowej, inspekcji lub czyszczenia, należy odłączyć narzędzie od gniazda zasilania.
15. Unikać przypadkowego uruchamiania: Upewnić się, że przełącznik jest wyłączony podczas podłączania narzędzia do prądu. Nie nosić

narzędzia z palcem na przełączniku.

16. Zachować ostrożność: Zawsze należy zachowywać ostrożność, kierować się zdrowym rozsądkiem i nie pracować przy użyciu narzędzia w przypadku nadmiernego zmęczenia.
17. Sprawdzać uszkodzone części: Przed użyciem narzędzia należy ostrożnie sprawdzić uszkodzone pokrywy lub inne części, aby określić, czy narzędzie będzie działać prawidłowo i zgodnie z przeznaczeniem.
18. Uziemić narzędzie.
19. Eksploatacja narzędzia typu „push-to-start” wymaga jedynie niewielkiego nacisku.

Środki ostrożności podczas pracy

1. Jeśli wystąpią jakiegokolwiek problemy, nie demontować narzędzia. Wstrzymać pracę i natychmiast skontaktować się z ASG.
2. Nigdy nie smarować narzędzia olejem aerozolowym lub podobnymi środkami smarnymi.
3. Nie upuszczać, uderzać ani nie nadużywać narzędzia.
4. Nigdy nie używać środków chemicznych do czyszczenia pokrywy korpusu.
5. Używać tylko prawidłowego napięcia.
6. Nie ciągnąć za przewód zasilający podczas odłączania narzędzia od gniazdka. Chwycić za wtyczkę.
7. Ze względów bezpieczeństwa nie dokręcać nakrętki regulacyjnej momentu obrotowego do poziomu większego niż 10 na skali regulacyjnej momentu obrotowego.
8. Używać narzędzia sporadycznie: (Przykład: 0,5 s WŁ., 4,5 s WYŁ.)
9. Nie dokręcać więcej niż 720 śrub gwintujących na godzinę.
10. To narzędzie nie jest przeznaczone do dokręcania wkrętów do drewna.
11. Przed przestawieniem narzędzia na bieg wsteczny należy wyłączyć zasilanie.
12. Jeśli narzędzie nie jest używane, wyłączyć je i odłączyć wtyczkę przewodu zasilającego.
13. W trybie „push-to-start” wkrętak automatycznie włącza się, gdy na końcówkę bitu jest wywierany nacisk.
14. W trybie „push-to-start” nie należy podnosić wkrętaka z łba śruby, dopóki obrót się nie zakończy.

Instrukcje dotyczące uziemiania

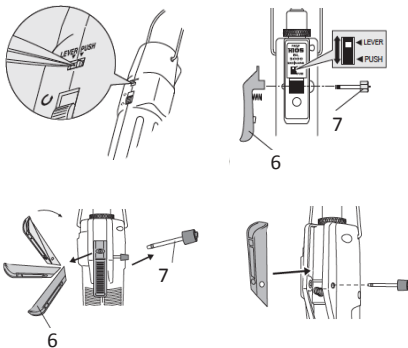
Narzędzie powinno być uziemione podczas użytkowania, aby chronić użytkownika przed porażeniem elektrycznym.

Procedura robocza

1. Użyć nakrętki regulacyjnej momentu obrotowego, aby wybrać żądane ustawienie mocy.
2. Zamocować końcówkę do wkrętaka.
3. Przesłać przełącznik FOR/REV (do przodu/do tyłu) do pozycji OFF (wył.) i podłączyć wtyczkę do gniazdka zasilania.
4. Przesłać przełącznik do pozycji FOR (do przodu) lub REV (do tyłu), aby uruchomić wkrętak.
5. Korzystać ze sprzęgła wkrętaka do momentu dokręcenia śruby do żądanej wartości momentu obrotowego.
6. Przed obróceniem kierunku pracy należy zawsze wyłączyć zasilanie.
7. W przypadku luzowania dokręconej śruby należy przesłać przełącznik FOR/REV (do przodu/do tyłu) do pozycji REV (do tyłu) i poluzować śrubę w odwrotnym kierunku.

Tryb „Push-to-Start”:

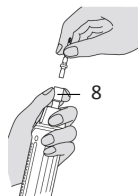
- BL-3000: Użyć pęsety, aby przełączyć dźwignię do położenia push-to-start.
- BL-5000: Przekręć śrubę z łbem sześciokątnym, aby odłączyć dźwignię przełączającą i ustawić przełącznik uruchamiania w pozycji popychania. Używaj jej bez przykręcania śruby z łbem sześciokątnym i dźwigni przełączającej.
- BL-7000: Przekręć śrubę z łbem sześciokątnym, aby odłączyć dźwignię przełączającą i ponownie ją zamontować do góry nogami.



6	Dźwignia przełączająca
7	Śruba z łbem sześciokątnym

Mocowanie końcówki

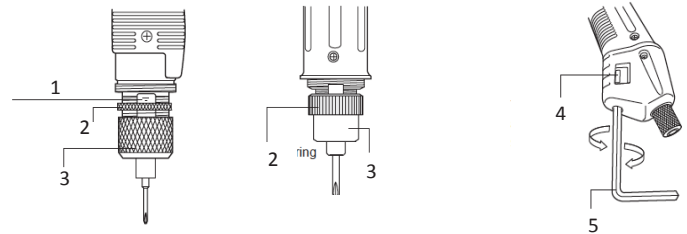
- Uwaga: Podczas mocowania końcówki należy zawsze upewnić się, że przełącznik napędu FOR/OFF/REV (do przodu/wył./do tyłu) jest ustawiony na pozycję OFF (wył.) lub że wtyczka zasilania sieciowego została wyciągnięta z gniazda.
- Używać końcówek o prawidłowych rozmiarach. Aby zamocować końcówkę, należy wypchnąć lub pociągnąć kołnierz wału połączonego na końcu wkrętaka do góry, a następnie wsadzić końcówkę. Sprawdzić, czy końcówka nie wypada po jej zamocowaniu.



8	Kołnierz wału połączonego
---	---------------------------

Procedura regulacji momentu obrotowego

- Użyć nakrętki regulacyjnej momentu obrotowego, aby wybrać żądane ustawienie mocy. Należy pamiętać, że to ustawienie jest wartością przybliżoną. Skonfigurować ustawienie poprzez poluzowanie blokady nakrętki regulacyjnej i przekręcenie nakrętki regulacyjnej momentu obrotowego. Po zmianie ustawienia należy ponownie dokręcić blokadę nakrętki regulacyjnej momentu obrotowego. Powtarzać ten proces, aby uzyskać odpowiednie dokręcenie. Użyć miernika momentu obrotowego, aby potwierdzić ustawienie.
- BL-2000 posiada podwójny system nakrętek (pierścieni mocujący nakrętkę i nakrętkę regulacyjną momentu obrotowego) w celu uniknięcia poluzowania się od wstrząsów lub wibracji na wkrętaku.
- BL-3000: Dokonaj ustawień, przesuwając kołnierz nakrętki do góry. Zdejmij nakrętkę regulacyjną momentu obrotowego i obróć ją tak, aby punkt nad nakrętką pokrywał się z rowkiem.
- BL-5000, BL-7000: Nakrętkę regulacyjną momentu obrotowego ustaw za pomocą dołączonego klucza imbusowego.

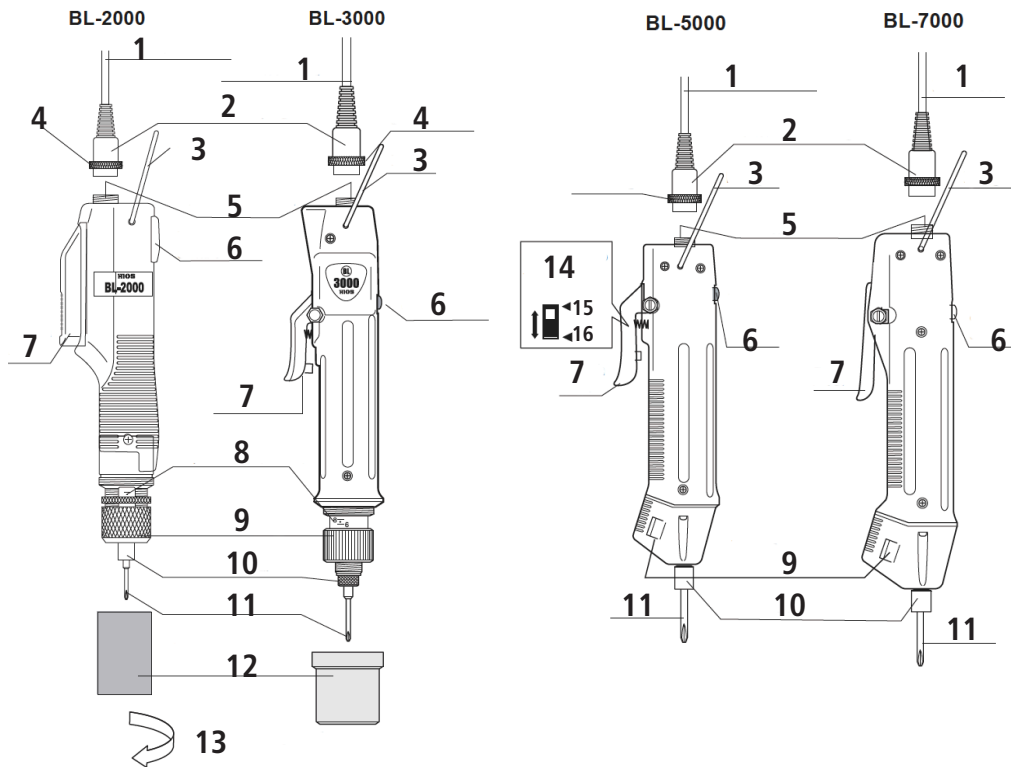


1	Skala momentu obrotowego
2	Pierścień zabezpieczający nakrętkę
3	Nakrętka regulacyjna momentu obrotowego
4	Skala regulacji momentu obrotowego
5	Klucz L do nakrętek z łbem sześciokątnym 5 mm

Naprawy

W przypadku jakichkolwiek pytań lub uwag należy skontaktować się z firmą ASG pod numerem +1-888-486-6163 lub pod adresem asginfo@asg-jergens.com

Części



1	Przewód wkrętaka
2	Wtyczka przewodu wkrętaka
3	Wieszak
4	Pierścień łączący
5	Złącze wkrętaka
6	Przełącznik do przodu/do tyłu
7	Dźwignia przełączająca
8	Śruba regulacyjna (skala regulacji momentu obrotowego)
9	Nakrętka regulacyjna momentu obrotowego
10	Kołnierzyk wału połączonego
11	Końcówka
12	Pokrywa zabezpieczająca nakrętki regulacyjnej momentu obrotowego
13	Obróć pokrywę ochronną w lewo, aby ją zdjąć i wyregulować moment obrotowy.
14	Dźwignia / przełącznik push-to-start
15	Dźwignia
16	Push-to-Start

Akcesoria

- Końcówki
- Sprężyna regulacyjna momentu obrotowego
- Dla BL-2000 dostępne są dwie sprężyny regulacyjne momentu obrotowego
- Klucze sześciokątne typu L (BL-5000, BL-7000)



Assembly · Industrial · Precision Fastening · Automation

Seria HIOS BL Instrukcja obsługi

Dane techniczne

Dźwignia		BL-2000, BL-200SS	BL-3000, BL- 3000SS*	BL-5000, BL-5000SS	BL-5000-15	BL-5020	BL-7000	BL-7000HT
Push-to-Start								
Zakres dostępnego momentu obrotowego	N.m	0.02-0.2	0.2-0.55 0.2-0.35*	0.2-1.2	0.3-1	0.5-2	0.7-2.8	0.7-3.5
	lbf.in	0.17-1.7	1.7-4.8 1.7-4.8*	1.7-10	2.6-10	4.3-17.4	6.1-24	6.1-30
	kgf.cm	(.02-2)	(2-5.5) (2-3.5)*	(2-12)	(3-10)	(5-20)	(7-28)	(7-35)
Przełączanie momentu obrotowego		Regulacja bez przeskoków						
Prędkość obrotu bez obciążenia (obr./min) ±10%	HI	990	980	900	1500	750	960	700
	LO	650	680	590	1000	500	630	500
Rozmiar śruby	Śruba imbusowa	1.0-2.3	1.7-2.3	2.0-3.0	2.0-3.0	2.0-4.0	2.6-5.0	2.6-4.0
	Śruba gwintująca	1.0-2.0	2.0-2.3	2.0-3.0	2.0-3.0	2.0-3.0	2.6-4.0	2.6-4.0
Masa (g)		254	320	360	360	360	640	640
Typ końcówki	Trzpień HIOS	H4				H5, 5HEX		
	Trzpień sześciokątny	—	1/4"Hex	H5 i 5Hex lub 1/4"Hex		1/4" Hex		
Zasilanie	T-45BL	X	X	X	X*	X*	—	—
	T-70BL	X	X	X	X*	X*	X	X
Długość przewodu	Norma	A	B	B	B	B	C	C
	BL-OPC	D	E	E	E	E	E	E
	BL-ESD	A	A	A	A	A	A	A
	BLQ-CR	F	H	H	H	H	I	I
	BLQ-ESD	F	F	F	F	F	F	F
	BLQ-CR-ESD	F	F	F	F	F	F	F
	BL-SS	A	B	B		—	—	—

UWAGA: W modelach * należy używać tylko gniazdka zasilania 2(WYS.). Modele mogą nie działać prawidłowo w gniazdku zasilania 1(NIS).

Wyjściowy zakres momentu obrotowego i prędkość obrotowa w powyższych danych technicznych dotyczą BL-2000, BL-3000 przy użyciu zasilacza T-45BL lub BL-5000 i BL-7000 przy użyciu zasilacza T-70BL.

* Odpowiedni przewód, zwłaszcza dla OPC, to typ 6-stykowy (*przewód zwykły jest 5-stykowy). Wkrętak kombinowany (np. ESD+OPC) ma przytwierdzony odpowiedni typ przewodu (2 m).

Wykres referencyjny przewodu wkrętaka

Typ	Podłączony Przewód
A	Przewód 2 m ESD (5P)
B	Przewód 1,5 m (5P)
C	Przewód 2 m (5P)
D	Przewód 2 m ESD (6P)
E	Przewód 2 m (6P)
F	Przewód 2 m ESD (5P), zawiera tuleję winylową ESD
G	Przewód 2 m ESD (5P), zawiera tuleję winylową
H	Przewód 1,5 m (5P), zawiera tuleję winylową
I	Przewód 2 m (5P), zawiera tuleję winylową

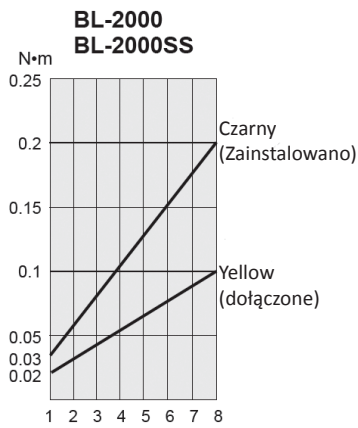
Kompatybilne zasilacze

Model zasilacza sieciowego	Maksymalna liczba wkrętaków			
	BL-2000	BL-3000	BL-5000	BL-7000
T-45BL	1	1	1	—
T-70BL	1	1	1	1

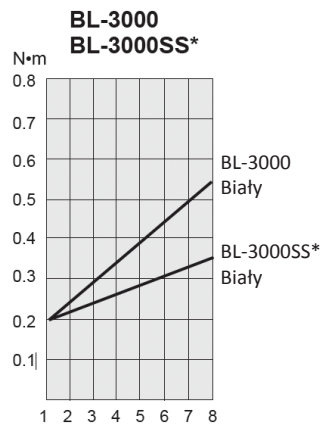


Seria HIOS BL Instrukcja obsługi

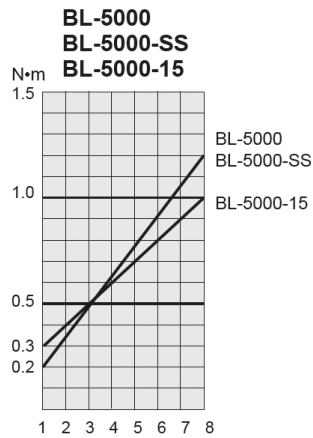
Przybliżone wartości momentu obrotowego (zasilanie na poziomie HI)



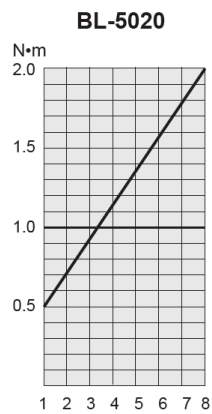
Ustawienie pierścienia skali



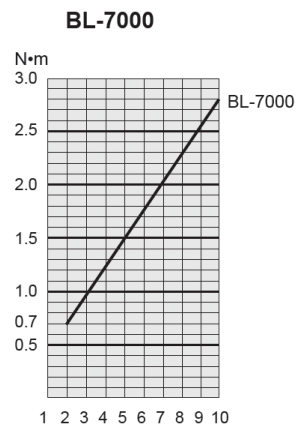
Ustawienie pierścienia skali



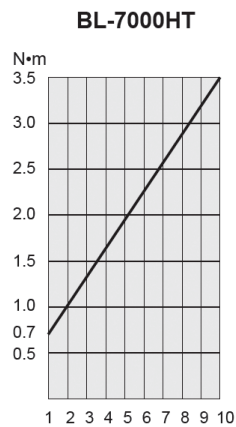
Ustawienie pierścienia skali



Ustawienie pierścienia skali



Ustawienie pierścienia skali



Ustawienie pierścienia skali

CERTIFICATE



① **CERTIFICATE**
Of Conformity
EU Council Directive 2014/30/EU
Electromagnetic Compatibility

② Registration No.: AT011605210E

③ Report No.: R011605210E

④ Applicant : HIOS Inc.
111-6 Akiyama, Matsudo City, Chiba Pref., 270-2223, Japan

⑤ Product : Electric Screw Driver

⑥ Identification ⑦ Model No. : BL-7000X, BL-7000SB, BL-7000

⑧ Trade Mark : HIOS

⑨ Rating : 20/30V DC, 650mA, 20W

⑩ Test Standards : EN 55014-1: 2006+A1: 2009+A2: 2011
EN 61000-3-2: 2014
EN 61000-3-3: 2013
EN 55014-2: 2015
EN 61000-6-2:2005

⑪ The certificate of conformity is based on an evaluation of a sample of the above-mentioned product. Technical report and documentation are at the applicant's disposal. This is to certify that the tested sample is in conformity with all provisions of Annex II of Council Directive 2014/30/EU, in its latest amended version, referred to EMC Directive. The certificate does not imply assessment of the production and does not permit the use of Lab's logo. The applicant of the certificate is authorized to use this certificate in connection with EU declaration of conformity to Article 15 of the Directive.

⑬ Certified by



⑫ May 30, 2016
Date


Tom Chen
Manager



The CE Marking may only be used if all relevant and effective EU Directives are complied with

Shenzhen Anbotek Compliance Laboratory Limited
1/F., Building 1, SEC Industrial Park, No.0409 Qianhai Road, Tel: (86)755-26066544
Nanshan District, Shenzhen, Guangdong, China Fax: (86)755-26014772
[Http://www.anbotek.com](http://www.anbotek.com) Email: service@anbotek.com



⑭



Assembly · Industrial · Precision Fastening · Automation

ITALIAN:

(1) Certificato di Conformità | Compatibilità elettromagnetica (2) Numero di registrazione (3) Numero del report (4) Richiedente (5) Prodotto: Cacciavite elettrico (6) Identificazione (7) Numero del modello (8) Marchio (9) Classificazione (10) Standard del test (11) Il certificato di conformità è basato sulla valutazione di un campione del suddetto prodotto. Relazione tecnica e documentazione sono a disposizione del richiedente. Questo documento certifica che il campione sottoposto a test è conforme a tutte le disposizioni dell'Allegato II della Direttiva 2014/30/UE del Consiglio, nella versione modificata più recente, di cui alla Direttiva EMC. Il certificato non implica la valutazione della produzione e non consente l'uso del logo del Laboratorio. Il richiedente del certificato è autorizzato a utilizzare questo certificato in combinazione con la dichiarazione di conformità UE di cui all'Articolo 15 della Direttiva. (12) Data (13) Certificato da: Nome e titolo (14) Numero telefonico, fax e e-mail

CZECH:

(1) Osvědčení o shodě | Elektromagnetická kompatibilita (2) Registrační číslo (3) Číslo zprávy (4) Žadatel (5) Výrobek: Elektrický šroubovák (6) ID (7) Číslo modelu (8) Značka (9) Hodnocení (10) Standardy zkoušení (11) Osvědčení o shodě je založeno na vyhodnocení vzorku výše uvedeného výrobku. Technická zpráva a dokumentace jsou k dispozici u žadatele. Tímto potvrzujeme, že zkoušený vzorek je ve shodě se všemi ustanoveními přílohy II aktuálního znění směrnice Rady 2014/30/EU o elektromagnetické kompatibilitě. Osvědčení nepředstavuje posouzení výroby a neumožňuje používání loga zkoušejícího. Žadatel o osvědčení je oprávněn používat toto osvědčení ve spojitosti s prohlášením o shodě se směrnicí EU, článek 15. (12) Datum (13) Osvědčení uděleno: Jméno a titul (14) Telefonní číslo, fax a e-mail

POLISH:

(1) Certyfikat zgodności | kompatybilność elektromagnetyczna (2) Numer rejestracyjny (3) Numer raportu (4) Wnioskodawca (5) Wyrób: Wkrętek elektryczny (6) Identyfikacja (7) Numer modelu (8) Znak towarowy (9) Ocena (10) Normy badań (11) Certyfikat zgodności jest oparty na ocenie próbki wyżej wymienionego produktu. Sprawozdanie techniczne i dokumentacja są do dyspozycji wnioskodawcy. Niniejszym zaświadcza się, że badana próbka jest zgodna ze wszystkimi przepisami załącznika II do dyrektywy Rady 2014/30/UE, w jej ostatnio zmienionej wersji, odnoszącymi się do dyrektywy EMC. Certyfikat nie stanowi oceny produkcji i nie zezwala na użycie logo laboratorium. Wnioskujący o certyfikat jest upoważniony do wykorzystania tego certyfikatu w związku z deklaracją zgodności UE na mocy art. 15 dyrektywy. (12) Data (13) Certyfikat wydany przez: Imię, nazwisko i tytuł (14) Numer telefonu, faks i adres e-mail

FRENCH:

(1) Certificat de conformité | Compatibilité électromagnétique (2) Numéro d'enregistrement (3) Numéro du rapport (4) Demandeur (5) Produit : Visseuse électrique (6) Identification (7) Numéro de modèle (8) Marque (9) Classification (10) Normes d'essai (11) Le certificat de conformité est basé sur une évaluation d'un échantillon du produit susmentionné. Le rapport technique et la documentation sont à la disposition du demandeur. Ce document certifie que l'échantillon testé est conforme à l'ensemble des dispositions de l'Annexe II de la Directive 2014/30/UE du Conseil, dans sa dernière version modifiée, faisant référence à la Directive CEM. Le certificat n'implique aucune évaluation de la production et ne permet pas l'utilisation du logo Lab. Le demandeur du certificat est autorisé à utiliser ce certificat dans le cadre de la déclaration de conformité UE à l'Article 15 de la Directive. (12) Date (13) Certifié par : Nom et titre (14) Numéro de téléphone, fax et e-mail

SPANISH:

(1) Certificado de conformidad | Compatibilidad electromagnética (2) Número de registro (3) Número de informe (4) Solicitante (5) Producto: Atornillador eléctrico (6) Identificación (7) Número de modelo (8) Marca comercial (9) Clasificación (10) Normas de prueba (11) El certificado de conformidad se basa en una evaluación de una muestra del producto mencionado anteriormente. El informe técnico y la documentación se encuentran a disposición del solicitante. Se certifica que la muestra puesta a prueba cumple con todas las disposiciones del Anexo II de la Directiva del Consejo 2014/30/UE, en su versión enmendada más reciente, denominada "Directiva CEM". El certificado no implica una evaluación de la producción ni permite el uso del logotipo del laboratorio. El solicitante del certificado está autorizado a usar el presente certificado en relación con la declaración de conformidad de la UE respecto del Artículo 15 de la Directiva. (12) Fecha (13) Certificado por: Nombre y cargo (14) Número de teléfono, fax y correo electrónico

GERMAN:

(1) Konformitätsbescheinigung | Elektromagnetische Verträglichkeit (2) Registriernummer (3) Berichtsnummer (4) Antragsteller (5) Produkt: Elektroschrauber (6) Identifizierung (7) Modellnummer (8) Eingetragenes Markenzeichen (9) Bewertung (10) Prüfnormen (11) Die Konformitätsbescheinigung basiert auf einer Bewertung einer Probe des oben genannten Produkts. Technischer Bericht und Dokumentation stehen dem Antragsteller zur Verfügung. Hiermit wird bescheinigt, dass das geprüfte Muster allen Bestimmungen des Anhangs II der Richtlinie 2014/30/EU des Rates in der zuletzt geänderten Fassung, bezogen auf die EMV-Richtlinie, entspricht. Das Zertifikat impliziert keine Bewertung der Produktion und erlaubt keine Verwendung des Lab-Logos. Der Antragsteller des Zertifikats ist berechtigt, dieses Zertifikat im Zusammenhang mit der EU-Konformitätserklärung nach Artikel 15 der Richtlinie zu verwenden. (12) Datum (13) Zertifiziert durch: Name und Titel (14) Telefonnummer, Fax und E-Mail

CERTIFICATE

① **CERTIFICATE**
Of Conformity
Machinery Directive 2006/42/EC

② Registration No.: AT0117011144M
③ Report No.: R0117011144M

- ④ Applicant : HIOS Inc.
1-16-5 Akiyama, Matsudo City, Chiba Pref., 270-2223, Japan
- ⑤ Product : Electric Screw Driver
- ⑥ Identification ⑦ Model No. : BL-7000X, BL-7000, BL-7000SB
- ⑧ Trade Mark : HIOS
- ⑨ Rating : 20/30V $\overline{=}$, 650mA, 20W
- ⑩ Test Standards : EN 60745-1: 2009+A11: 2010
EN 60745-2-2: 2014

⑪ The certificate of conformity is based on an evaluation of a sample of the above mentioned product. Technical report and documentation are at the applicant's disposal. This is to certify that the tested sample is in conformity with all revision of Annex I of Council Directive Machinery Directive 2006/42/EC. The certificate does not imply assessment of the series-production of the product and does not permit the use of lab's logo. The applicant of the certificate is authorized to use this certificate in connection with EC declaration of conformity.



⑫ Jan. 20, 2017
Date

CE The CE Marking may only be used if all relevant and effective EC Directives are complied with **CE**

Shenzhen Anbotek Compliance Laboratory Limited
1/F., Building 1, SEC Industrial Park, No.0409 Qianhai Road Tel: (86)755-26066544
Nanshan District, Shenzhen, Guangdong, China Fax: (86)755-26014772
[Http://www.anbotek.com](http://www.anbotek.com) Email: service@anbotek.com

**ITALIAN:**

(1) Certificato di conformità (2) Numero di registrazione (3) Numero del report (4) Richiedente (5) Prodotto: Cacciavite elettrico (6) Identificazione (7) Numero del modello (8) Marchio (9) Classificazione (10) Standard del test (11) Il certificato di conformità è basato sulla valutazione di un campione del suddetto prodotto. Relazione tecnica e documentazione sono a disposizione del richiedente. Questo documento certifica che il campione sottoposto a test è conforme a tutte le revisioni dell'Allegato I della Direttiva Macchine 2006/42/CE del Consiglio. Il certificato non implica la valutazione della produzione di serie e non consente l'uso del logo del Laboratorio. Il richiedente del certificato è autorizzato a utilizzare questo certificato in combinazione con la dichiarazione di conformità UE. (12) Data (13) Certificato da: Nome e titolo (14) Numero telefonico, fax e e-mail

CZECH:

(1) Osvědčení o shodě (2) Registrační číslo (3) Číslo zprávy (4) Žadatel (5) Výrobek: Elektrický šroubovák (6) ID (7) Číslo modelu (8) Značka (9) Hodnocení (10) Standardy zkoušení (11) Osvědčení o shodě je založeno na vyhodnocení vzorku výše uvedeného výrobku. Technická zpráva a dokumentace jsou k dispozici u žadatele. Tímto potvrzujeme, že zkoušený vzorek je v souladu se všemi revidovanými verzemi přílohy I směrnice Rady 2006/42/ES o strojních zařízeních. Osvědčení nepředstavuje posouzení sériové výroby a neumožňuje používání loga zkoušejícího. Žadatel o osvědčení je oprávněn používat toto osvědčení ve spojitosti s ES prohlášením o shodě. (12) Datum (13) Osvědčení uděleno: Jméno a titul (14) Telefonní číslo, fax a e-mail

POLISH:

(1) Certyfikat zgodności (2) Numer rejestracyjny (3) Numer raportu (4) Wnioskodawca (5) Wyrób: Wkrętak elektryczny (6) Identyfikacja (7) Numer modelu (8) Znak towarowy (9) Ocena (10) Normy badań (11) Certyfikat zgodności jest oparty na ocenie próbki wyżej wymienionego produktu. Sprawozdanie techniczne i dokumentacja są do dyspozycji wnioskodawcy. Niniejszym zaświadcza się, że badana próbka jest zgodna ze wszystkimi rewizjami załącznika I do dyrektywy maszynowej Rady 2006/42/UE. Certyfikat nie stanowi oceny produkcji seryjnej wyrobu i nie zezwala na używanie logo laboratorium. Wnioskujący o certyfikat jest upoważniony do wykorzystania tego certyfikatu w związku z deklaracją zgodności WE. (12) Data (13) Certyfikat wydany przez: Imię, nazwisko i tytuł (14) Numer telefonu, faks i adres e-mail

FRENCH:

(1) Certificat de conformité (2) Numéro d'enregistrement (3) Numéro du rapport (4) Demandeur (5) Produit : Visseuse électrique (6) Identification (7) Numéro de modèle (8) Marque (9) Classification (10) Normes d'essai (11) Le certificat de conformité est basé sur une évaluation d'un échantillon du produit susmentionné. Le rapport technique et la documentation sont à la disposition du demandeur. Ce document certifie que l'échantillon testé est conforme à l'ensemble des révisions de l'Annexe I de la Directive 2006/42/EC du Conseil relative aux machines. Le certificat n'implique aucune évaluation de la production en série du produit et ne permet pas l'utilisation du logo Lab. Le demandeur du certificat est autorisé à utiliser ce certificat dans le cadre de la déclaration de conformité CE. (12) Date (13) Certifié par : Nom et titre (14) Numéro de téléphone, fax et e-mail

SPANISH:

(1) Certificado de conformidad (2) Número de registro (3) Número de informe (4) Solicitante (5) Producto: Atornillador eléctrico (6) Identificación (7) Número de modelo (8) Marca comercial (9) Clasificación (10) Normas de prueba (11) El certificado de conformidad se basa en una evaluación de una muestra del producto mencionado anteriormente. El informe técnico y la documentación se encuentran a disposición del solicitante. Esto sirve para certificar que la muestra puesta a prueba cumple con todas las modificaciones al Anexo I de la Directiva de Máquinas de la Directiva del Consejo 2006/42/EC. El certificado no implica una evaluación de la producción en serie del producto ni permite el uso del logotipo del laboratorio. El solicitante del certificado está autorizado a usar el presente certificado en relación con la declaración de conformidad de la CE. (12) Fecha (13) Certificado por: Nombre y cargo (14) Número de teléfono, fax y correo electrónico

GERMAN:

(1) Konformitätsbescheinigung (2) Registriernummer (3) Berichtsnummer (4) Antragsteller (5) Produkt: Elektroschrauber (6) Identifizierung (7) Modellnummer (8) Eingetragenes Markenzeichen (9) Bewertung (10) Prüfnormen (11) Die Konformitätsbescheinigung basiert auf einer Bewertung einer Probe des oben genannten Produkts. Technischer Bericht und Dokumentation stehen dem Antragsteller zur Verfügung. Hiermit wird bescheinigt, dass das geprüfte Muster mit allen Änderungen des Anhangs I der Maschinenrichtlinie 2006/42/EG des Rates übereinstimmt. Das Zertifikat beinhaltet keine Beurteilung der Serienproduktion des Produkts und erlaubt nicht die Verwendung des Lab-Logos. Der Antragsteller des Zertifikats ist berechtigt, dieses Zertifikat in Verbindung mit der EG-Konformitätserklärung zu verwenden. (12) Datum (13) Zertifiziert durch: Name und Titel (14) Telefonnummer, Fax und E-Mail



HIOS Inc.

1-16-5, AKIYAMA, MATSUDO-CITY
CHIBA PREF., JAPAN 270-2223
TEL. : +81 473 92 2001
FAX. : +81 473 92 7773

① EU DECLARATION OF CONFORMITY

② 2018/11/20

③ We, HIOS Inc.
1-16-5, AKIYAMA, MATSUDO-CITY
CHIBA PREF., JAPAN 270-2223

Note: Address number was changed from 111-6 to 1-16-5 by Matsudo-city on Jan.27 2017

④ declare under our sole responsibility that
the product

⑤ Product Name: Electric screwdriver

⑥ Model series: BLG-4000, BLG-4000BC1, BLG-4000BC2 and BLG-4000ZERO1 series
BLG-5000, BLG-5000BC1, BLG-5000BC2 and BLG-5000ZERO1 series
BL-2000, BL-5000, BL-5020 and BL-7000 series
CL-2000, CL-7000NL and CL-9000NL series, SS-2000 and SS-7000 series

⑦ Note: Individual Model is followed by - after name of series.

⑧ to which this declaration is in conformity

with the following standard(s)

EN 60745-1:2009+A11:2010
EN 60745-2-2:2010
EN 61000-3-2:2014
EN 61000-3-3:2013
EN 61000-6-2:2005

⑨ following the provisions of Directive(s)
2006/42/EC, 2014/30/EU

⑩ 
Kazuo Sugimoto

Adviser
Overseas Sales.
HIOS Inc.

ITALIAN:

(1) Dichiarazione di conformità UE (2) Data (3) Noi (4) dichiariamo sotto la nostra responsabilità che il prodotto (5) Nome del prodotto: Cacciavite elettrico (6) Serie modello (7) Nota: Ogni modello è seguito da - dopo il nome della serie (8) per cui viene emessa tale dichiarazione è in conformità ai seguenti standard (9) secondo le disposizioni delle direttive (10) Nome e titolo

CZECH:

(1) Prohlášení o shodě EU (2) Datum (3) Naše společnost (4) na vlastní odpovědnost prohlašuje, že výrobek (5) Název výrobku: Elektrický šroubovák (6) Model série: (7) Poznámka: Po konkrétním modelu je uveden název série (8) je v souladu s těmito standardy (9) splňujícími ustanovení normy: (10) Jméno a titul

POLISH:

(1) Deklaracja zgodności UE (2) Data (3) Oświadczamy (4) na naszą wyłączną odpowiedzialność, że wyrób, (5) Nazwa wyrobu: Wkrętak elektryczny (6) Model seria (7) Uwaga: Po nazwie serii a przed oznaczeniem modelu występuje znak „—” (8) dla którego niniejsza deklaracja pozostaje w zgodzie z poniższą(-ymi) normą(-ami) (9) zgodnie z przepisami dyrektyw(y) (10) Nazwa i tytuł

FRENCH:

(1) Déclaration de conformité UE (2) Date (3) Nous (4) déclarons sous notre seule responsabilité que le produit (5) Nom du produit : Visseuse électrique (6) Série du modèle (7) Remarque : Le modèle individuel est suivi d'un tiret – après le nom de la série (8) concerné par la présente déclaration est conforme à la ou aux normes suivantes (9) suivant les dispositions de la ou des Directive(s) (10) Nom et titre

SPANISH:

(1) Declaración de conformidad de la UE (2) Fecha (3) Nosotros (4) declaramos bajo nuestra entera responsabilidad que el producto (5) Nombre del producto: Atornillador eléctrico (6) Modelo/Serie (7) Nota: El modelo individual aparece seguido de – luego del nombre de la serie (8) mencionado en esta declaración está en conformidad con la(s) siguiente(s) norma(s) (9) de acuerdo con las disposiciones de (las) Directiva(s) (10) Nombre y cargo

GERMAN:

(1) EU-Konformitätserklärung (2) Datum (3) Wir (4) erklären unter unserer alleinigen Verantwortung, dass das Produkt (5) Produktname: Elektroschrauber (6) Modellreihe (7) Hinweis: Auf das Einzelmodell folgt - nach dem Namen der Serie (8) mit denen diese Erklärung mit der folgenden Norm(en) übereinstimmt (9) nach den Bestimmungen der Richtlinie(n) (10) Name und Titel



Assembly · Industrial · Precision Fastening · Automation

HIOS série BL Provozní příručka

Důležité informace: Tento návod k obsluze si přečtěte a pečlivě uschovejte.

Výstraha: Při použití elektrického přístroje je třeba vždy dodržovat následující základní bezpečnostní opatření, aby se předešlo riziku požáru, úrazu elektrickým proudem nebo zranění osob.

Bezpečnostní opatření

1. Udržujte pořádek na pracovišti: Nepořádek na pracovišti a stolech může vést k úrazům.
2. Všimněte si pracovního prostředí: Nevystavujte přístroj dešti. Neskladujte přístroj na vlhkém nebo mokřím místě. Udržujte pracovní prostředí dobře osvětlené. Nikdy nepoužívejte přístroj v místě s nebezpečnými předměty. (benzín, benzen, ředidlo, plynová lepicí pistole, kovové předměty atd.)
3. Bezpečnost práce: K upevnění dílu, na kterém pracujete, použijte svorky nebo svěrák.
4. Ochrana proti úrazu elektrickým proudem: Vyhněte se kontaktu těla s uzemněnými povrchy.
5. Uchovávejte mimo dosah dětí a neoprávněných osob: Nedovolte dětem ani neoprávněným osobám používat tento přístroj.
6. Skladování přístroje, který se nepoužívá: Když se přístroj nepoužívá, skladujte ho na suchém vysoko umístěném nebo uzamčeném místě.
7. Odstraňujte nastavovací šrouby a klíče: Vždy zkontrolujte, že jsou šrouby a nastavovací klíče z přístroje sejmuté, než ho zapnete.
8. Používejte správný přístroj: Používejte přístroj pro takovou práci, která odpovídá jeho výkonu a účelu.
9. Noste správný oděv: Nenoste volné oblečení ani šperky, protože by se mohly zachytit do pohyblivých částí. Používejte pokrývku hlavy, která ochrání dlouhé vlasy.
10. Používejte bezpečnostní brýle: Používejte také obličejový štít nebo respirátor, pokud se při práci práší.
11. Nenamáhejte kabel: Nikdy přístroj nenoste za kabel ani za kabel netahejte, když ho vytahujete ze zástrčky. Udržte kabel mimo dosah zdroje tepla, oleje a ostrých hran.
12. Nenaklánějte se: Vždy si udržujte stabilní postoj a rovnováhu.
13. Zajistěte správnou údržbu přístroje: Udržujte přístroj čistý, abyste zajistili jeho lepší a bezpečnější provoz. Dodržujte instrukce týkající se mazání a výměny příslušenství. Abyste mohli přístroj dlouhodobě bezpečně používat, provádějte jeho pravidelné kontroly, a pokud je poškozené, kontaktujte společnost ASG. Udržujte si ruce suché a čisté a bez oleje a maziva. Pravidelně kontrolujte kabely a poškozené vyměňte.
14. Odpojení přístroje: Když se přístroj nepoužívá, třeba když nasazujete nebo sundáváte bit, měníte uhlíkový kartáč nebo provádíte kontrolu nebo čištění, odpojte přístroj od zdroje napájení.
15. Vyhněte se neúmyslnému spuštění: Zkontrolujte, že je přístroj vypnutý, když ho zapojujete. Nenoste přístroj s prstem na vypínači.
16. Zůstaňte obezřetní: Vždy buďte všímaví, používejte zdravý rozum a nepoužívejte přístroj, pokud jste unavení.
17. Kontrola poškozených součástí: Než začnete přístroj používat,

je třeba pečlivě zkontrolovat ochranné kryty a další součásti, abyste mohli ověřit, zda bude přístroj fungovat správně a podle očekávání.

18. Uzemněte přístroj.
19. Ke spuštění nářadí stačí jen malý tlak na mechanismus Push-to-start.

Výstrahy při provozu

1. Pokud dojde k problémům, nerozebírejte přístroj. Přestaňte ho používat a ihned kontaktujte společnost ASG.
2. Nikdy přístroj nemažte aerosolovým olejem nebo podobnými mazivy.
3. Nenechte přístroj spadnout na zem, netlučte do něj ani ho nepoškozujte.
4. Nikdy nepoužívejte chemikálie k otírání krytu
5. Používejte pouze správné napětí.
6. Netahejte za přívodní kabel, když přístroj odpojíte ze zástrčky. Tahejte za zástrčku.
7. Aby se zajistila bezpečnost používání, nenastavujte matici k nastavení točivého momentu na vyšší hodnotu než 10 na stupnici točivého momentu
8. Používejte přístroj přerušovaně: (Např: 0,5 s zapnuto, 4,5 s vypnuto)
9. Neutahujte více než 720 závitových šroubů za hodinu.
10. Tento přístroj není určen pro utahování vrtů do dřeva
11. Než přístroj přepnete do zpětného režimu, vypněte ho.
12. Pokud se přístroj nepoužívá, vypněte ho a odpojte ze zásuvky.
13. V režimu Push-to-start se šroubovák automaticky spustí, když je na hrot bitu vyvinut tlak.
14. V režimu Push-to-start nezdvihejte šroubovák z hlavičky šroubu, dokud se nepřestane otáčet.

Pokyny k uzemnění

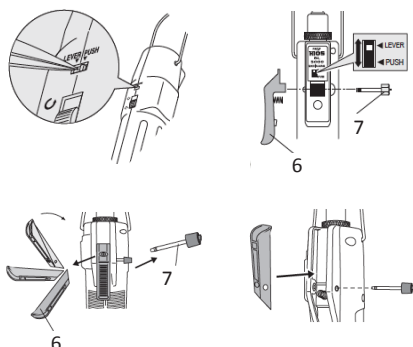
Přístroj je třeba používat uzemněný, aby se předešlo úrazu obsluhy elektrickým proudem.

Provozní postup

1. Abyste dosáhli požadovaného nastavení výstupu, použijte matici k nastavení krouticího momentu.
2. Připevnění bitu do šroubováku
3. Přepněte přepínač FOR/REV do polohy OFF a připojte zástrčku do zásuvky se střídavým proudem.
4. Přepněte přepínač do polohy FOR nebo REV a spusťte šroubovák.
5. Používejte spojku, dokud nebude šroub dotažený, abyste určili točivý moment.
6. Vždy odpojte napájení předtím, než změníte směr otáčení.
7. Při uvolňování utaženého šroubu nastavte přepínač FOR/REV do polohy REV a uvolňujte v opačném směru.

Režim Push-to-start:

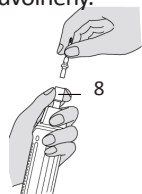
- BL-3000: K aktivaci páky spínače mechanismu Push-to-start použijte pinzetu.
- BL-5000: Chcete-li odpojit páku spínače mechanismu a nastavit spínač do aktivní polohy, otočte šroubem se šestihrannou hlavou. Šroubovák používejte bez upevnění šroubu se šestihrannou hlavou a pákou spínače.
- BL-7000: Chcete-li odpojit páku spínače mechanismu a páku spínače namontovat obráceně, otočte šroubem se šestihrannou hlavou.



6	Páka spínače
7	Šroub se šestihrannou hlavou

Nasazení bitu

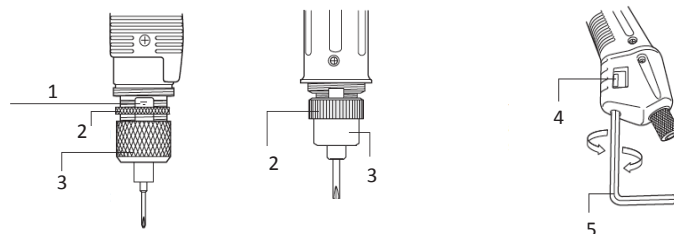
- Upozornění: Při nasazování bitu se vždy ujistěte, že spínač šroubováku FOR/OFF/REV je v poloze OFF nebo že byl napájecí kabel šroubováku vypojen ze zásuvky střídavého napětí.
- Používejte bity správné velikosti. Chcete-li bit namontovat, zatlačte nebo vytáhněte objímku dřívku na konci šroubováku směrem nahoru a nasadte bit. Zkontrolujte, že bit není po nasazení uvolněný.



8	Kroužek kloubové hřídele
---	--------------------------

Postup úpravy točivého momentu

- Abyste dosáhli požadovaného nastavení výstupu, použijte matici k nastavení krouticího momentu. Upozorňujeme, že toto nastavení je pouze přibližná hodnota. Upravte nastavení povolením zářky matice a seřazením matice k nastavení krouticího momentu. Po provedení potřebných úprav pevně dotáhněte zářku matice k nastavení krouticího momentu. Abyste zajistili správné dotažení, tento postup zopakujte. Ke kontrole použijte měřič krouticího momentu.
- Elektrické šroubováky BL-2000 mají „systém dvojité matice“ (upevňovací kroužek matice a matici k nastavení krouticího momentu), aby se zabránilo povolení způsobenému nárazem nebo vibracemi šroubováku.
- BL-3000: Nastavení provedete tak, že zatlačíte kroužek matice směrem nahoru, vyjmete matici k nastavení krouticího momentu a otočíte ji tak, aby značka nad maticí lícovala s drážkou.
- BL-5000, BL-7000: Nastavte matici k nastavení krouticího momentu pomocí dodaného šestihranného klíče.

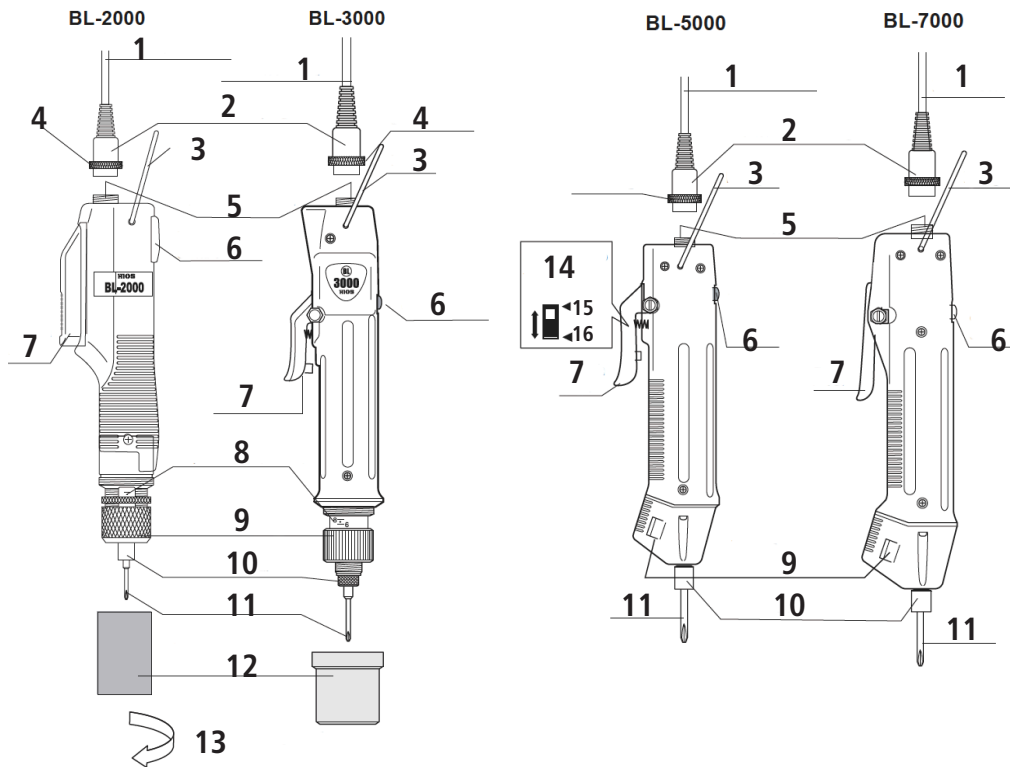


1	Stupnice točivého momentu
2	Aretační kroužek matice
3	Matice úpravy točivého momentu
4	Stupnice úpravy točivého momentu
5	L-klíč 5mm šestihranné matice

Opravy

Kontaktujte společnost ASG, máte-li otázky nebo pochybnosti, na čísle +1 888 468 6163 nebo na adrese asginfo@asg-jergens.com.

Součásti



1	Kabel šroubováku
2	Zástrčka kabelu šroubováku
3	Háček
4	Spojovací kroužek
5	Úchyt šroubováku
6	Přepínač pro dopředný/zpětný chod
7	Páka spínače
8	Stavěcí šroub (stupnice nastavení kroučícího momentu)
9	Matice úpravy točivého momentu
10	Kroužek kloubové hřídele
11	Bit
12	Ochranný kryt matice úpravy točivého momentu
13	Otočte ochranným krytem proti směru hodinových ručiček, abyste jej mohli sejmout a nastavit kroučící moment.
14	Pákový spínač / spínač mechanismu Push-to-start
15	Páka
16	Push-to-start

Příslušenství

- Bity
- Pružina k nastavení kroučícího momentu
- V modelu BL-2000 jsou dvě pružiny k nastavení kroučícího momentu
- Zahnuté šestihřanné klíče (BL-5000, BL-7000)

Specifikace

Páka		BL-2000, BL-200SS	BL-3000, BL- 3000SS*	BL-5000, BL-5000SS	BL-5000-15	BL-5020	BL-7000	BL-7000HT	
Push-to-start									
Škála výstupního točivého momentu	N.m	0.02-0.2	0.2-0.55 0.2-0.35*	0.2-1.2	0.3-1	0.5-2	0.7-2.8	0.7-3.5	
	lbf.in	0.17-1.7	1.7-4.8 1.7-4.8*	1.7-10	2.6-10	4.3-17.4	6.1-24	6.1-30	
	kgf.cm	(.02-2)	(2-5.5) (2-3.5)*	(2-12)	(3-10)	(5-20)	(7-28)	(7-35)	
Přepnutí točivého momentu		Úprava bez krokování							
Nezatížená rychlost otáčení (ot./min) ± 10 %	HI	990	980	900	1500	750	960	700	
	LO	650	680	590	1000	500	630	500	
Velikost šroubu (mm)	Šroub stroje	1.0-2.3	1.7-2.3	2.0-3.0	2.0-3.0	2.0-4.0	2.6-5.0	2.6-4.0	
	Příklepový vrták	1.0-2.0	2.0-2.3	2.0-3.0	2.0-3.0	2.0-3.0	2.6-4.0	2.6-4.0	
Hmotnost (g)		254	320	360	360	360	640	640	
Typ bitu	Dřík HIOS	H4				H5, 5HEX			
	Šestihranný dřík	—	1/4" Hex	H5 A 5Hex nebo 1/4" Hex		1/4" Hex			
Napájecí zdroj	T-45BL	X	X	X	X*	X*	—	—	
	T-70BL	X	X	X	X*	X*	X	X	
Délka kabelu	Standardní	A	B	B	B	B	C	C	
	BL-OPC	D	E	E	E	E	E	E	
	BL-ESD	A	A	A	A	A	A	A	
	BLQ-CR	F	H	H	H	H	I	I	
	BLQ-ESD	F	F	F	F	F	F	F	
	BLQ-CR-ESD	F	F	F	F	F	F	F	
	BL-SS	A	B	B		—	—	—	

UPOZORNĚNÍ: U modelů * použijte pouze zásuvky 2(HI). Modely zapojené do zásuvky 1(LOW) nemusí fungovat správně.

Rozsah výstupního krouticího momentu a rychlost otáčení ve výše uvedených specifikacích jsou pro modely BL-2000, BL-3000 za použití napájecího zdroje T-45BL nebo pro modely BL-5000 a BL-7000 za použití napájecího zdroje T-70BL.

* Použitelný napájecí kabel pro OPC je 6kolíkový. (*Běžný kabel je 5kolíkový typ.) Typ šroubováku (s výjimkou ESD+OPC) je zkombinován s dodaným typem kabelu (2 m).

Referenční tabulka kabelů šroubováků

Typ	Připojovací kabel
A	2m kabel ESD (5kolíkový)
B	1.5m kabel (5kolíkový)
C	2m kabel (5kolíkový)
D	2m kabel ESD (6kolíkový)
E	2m kabel (6kolíkový)
F	2m kabel ESD (5kolíkový) s vinylem ESD
G	2m typ kabelu (5kolíkový) s vinylem
H	1,5m typ kabelu (5kolíkový) s vinylem
I	2m kabel (5kolíkový) vč. vinylové trubice

Kompatibilní napájecí zdroje

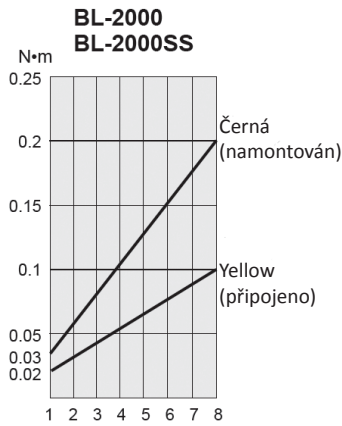
Model napá- jecího zdroje	Maximální počet šroubováků			
	BL-2000	BL-3000	BL-5000	BL-7000
T-45BL	1	1	1	—
T-70BL	1	1	1	1



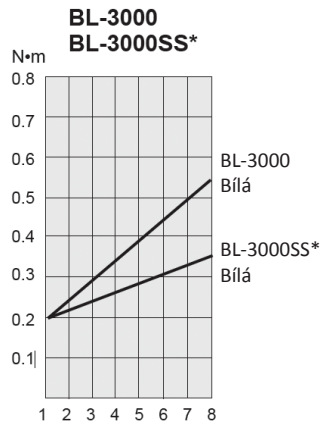
HIOS série BL

Provozní příručka

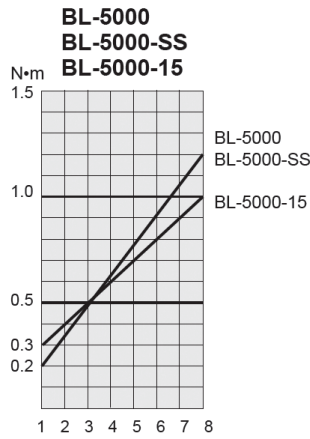
Přibližné vedení výstupního točivého momentu (při vstupu HI)



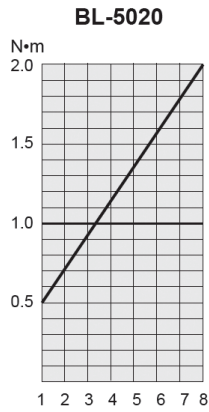
Nastavení kroužku stupnice



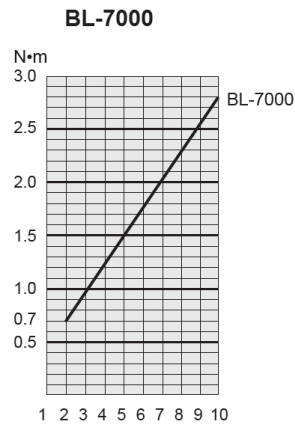
Nastavení kroužku stupnice



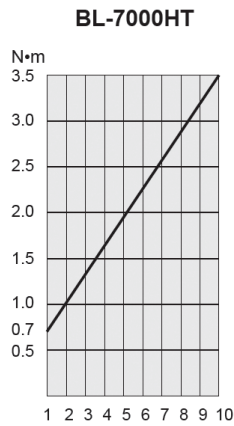
Nastavení kroužku stupnice



Nastavení kroužku stupnice



Nastavení kroužku stupnice



Nastavení kroužku stupnice

CERTIFICATE

① **CERTIFICATE**
Of Conformity
EU Council Directive 2014/30/EU
Electromagnetic Compatibility

② Registration No.: AT011605210E

③ Report No.: R011605210E

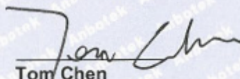
- ④ Applicant : HIOS Inc.
111-6 Akiyama, Matsudo City, Chiba Pref., 270-2223, Japan
- ⑤ Product : Electric Screw Driver
- ⑥ Identification ⑦ Model No. : BL-7000X, BL-7000SB, BL-7000
- ⑧ Trade Mark : HIOS
- ⑨ Rating : 20/30V DC, 650mA, 20W
- ⑩ Test Standards : EN 55014-1: 2006+A1: 2009+A2: 2011
EN 61000-3-2: 2014
EN 61000-3-3: 2013
EN 55014-2: 2015
EN 61000-6-2:2005

⑪ The certificate of conformity is based on an evaluation of a sample of the above-mentioned product. Technical report and documentation are at the applicant's disposal. This is to certify that the tested sample is in conformity with all provisions of Annex II of Council Directive 2014/30/EU, in its latest amended version, referred to EMC Directive. The certificate does not imply assessment of the production and does not permit the use of Lab's logo. The applicant of the certificate is authorized to use this certificate in connection with EU declaration of conformity to Article 15 of the Directive.

⑬ Certified by



⑫ May 30, 2016
Date


Tom Chen
Manager



The CE Marking may only be used if all relevant and effective EU Directives are complied with



Shenzhen Anbotek Compliance Laboratory Limited
1/F., Building 1, SEC Industrial Park, No.0409 Qianhai Road, Tel: (86)755-26066544
Nanshan District, Shenzhen, Guangdong, China Fax: (86)755-26014772
[Http://www.anbotek.com](http://www.anbotek.com) Email: service@anbotek.com ⑭



Assembly · Industrial · Precision Fastening · Automation

ITALIAN:

(1) Certificato di Conformità | Compatibilità elettromagnetica (2) Numero di registrazione (3) Numero del report (4) Richiedente (5) Prodotto: Cacciavite elettrico (6) Identificazione (7) Numero del modello (8) Marchio (9) Classificazione (10) Standard del test (11) Il certificato di conformità è basato sulla valutazione di un campione del suddetto prodotto. Relazione tecnica e documentazione sono a disposizione del richiedente. Questo documento certifica che il campione sottoposto a test è conforme a tutte le disposizioni dell'Allegato II della Direttiva 2014/30/UE del Consiglio, nella versione modificata più recente, di cui alla Direttiva EMC. Il certificato non implica la valutazione della produzione e non consente l'uso del logo del Laboratorio. Il richiedente del certificato è autorizzato a utilizzare questo certificato in combinazione con la dichiarazione di conformità UE di cui all'Articolo 15 della Direttiva. (12) Data (13) Certificato da: Nome e titolo (14) Numero telefonico, fax e e-mail

CZECH:

(1) Osvědčení o shodě | Elektromagnetická kompatibilita (2) Registrační číslo (3) Číslo zprávy (4) Žadatel (5) Výrobek: Elektrický šroubovák (6) ID (7) Číslo modelu (8) Značka (9) Hodnocení (10) Standardy zkoušení (11) Osvědčení o shodě je založeno na vyhodnocení vzorku výše uvedeného výrobku. Technická zpráva a dokumentace jsou k dispozici u žadatele. Tímto potvrzujeme, že zkoušený vzorek je ve shodě se všemi ustanoveními přílohy II aktuálního znění směrnice Rady 2014/30/EU o elektromagnetické kompatibilitě. Osvědčení nepředstavuje posouzení výroby a neumožňuje používání loga zkoušejícího. Žadatel o osvědčení je oprávněn používat toto osvědčení ve spojitosti s prohlášením o shodě se směrnicí EU, článek 15. (12) Datum (13) Osvědčení uděleno: Jméno a titul (14) Telefonní číslo, fax a e-mail

POLISH:

(1) Certyfikat zgodności | kompatybilność elektromagnetyczna (2) Numer rejestracyjny (3) Numer raportu (4) Wnioskodawca (5) Wyrób: Wkrętek elektryczny (6) Identyfikacja (7) Numer modelu (8) Znak towarowy (9) Ocena (10) Normy badań (11) Certyfikat zgodności jest oparty na ocenie próbki wyżej wymienionego produktu. Sprawozdanie techniczne i dokumentacja są do dyspozycji wnioskodawcy. Niniejszym zaświadcza się, że badana próbka jest zgodna ze wszystkimi przepisami załącznika II do dyrektywy Rady 2014/30/UE, w jej ostatnio zmienionej wersji, odnoszącymi się do dyrektywy EMC. Certyfikat nie stanowi oceny produkcji i nie zezwala na użycie logo laboratorium. Wnioskujący o certyfikat jest upoważniony do wykorzystania tego certyfikatu w związku z deklaracją zgodności UE na mocy art. 15 dyrektywy. (12) Data (13) Certyfikat wydany przez: Imię, nazwisko i tytuł (14) Numer telefonu, faks i adres e-mail

FRENCH:

(1) Certificat de conformité | Compatibilité électromagnétique (2) Numéro d'enregistrement (3) Numéro du rapport (4) Demandeur (5) Produit : Visseuse électrique (6) Identification (7) Numéro de modèle (8) Marque (9) Classification (10) Normes d'essai (11) Le certificat de conformité est basé sur une évaluation d'un échantillon du produit susmentionné. Le rapport technique et la documentation sont à la disposition du demandeur. Ce document certifie que l'échantillon testé est conforme à l'ensemble des dispositions de l'Annexe II de la Directive 2014/30/UE du Conseil, dans sa dernière version modifiée, faisant référence à la Directive CEM. Le certificat n'implique aucune évaluation de la production et ne permet pas l'utilisation du logo Lab. Le demandeur du certificat est autorisé à utiliser ce certificat dans le cadre de la déclaration de conformité UE à l'Article 15 de la Directive. (12) Date (13) Certifié par : Nom et titre (14) Numéro de téléphone, fax et e-mail

SPANISH:

(1) Certificado de conformidad | Compatibilidad electromagnética (2) Número de registro (3) Número de informe (4) Solicitante (5) Producto: Atornillador eléctrico (6) Identificación (7) Número de modelo (8) Marca comercial (9) Clasificación (10) Normas de prueba (11) El certificado de conformidad se basa en una evaluación de una muestra del producto mencionado anteriormente. El informe técnico y la documentación se encuentran a disposición del solicitante. Se certifica que la muestra puesta a prueba cumple con todas las disposiciones del Anexo II de la Directiva del Consejo 2014/30/UE, en su versión enmendada más reciente, denominada "Directiva CEM". El certificado no implica una evaluación de la producción ni permite el uso del logotipo del laboratorio. El solicitante del certificado está autorizado a usar el presente certificado en relación con la declaración de conformidad de la UE respecto del Artículo 15 de la Directiva. (12) Fecha (13) Certificado por: Nombre y cargo (14) Número de teléfono, fax y correo electrónico

GERMAN:

(1) Konformitätsbescheinigung | Elektromagnetische Verträglichkeit (2) Registriernummer (3) Berichtsnummer (4) Antragsteller (5) Produkt: Elektroschrauber (6) Identifizierung (7) Modellnummer (8) Eingetragenes Markenzeichen (9) Bewertung (10) Prüfnormen (11) Die Konformitätsbescheinigung basiert auf einer Bewertung einer Probe des oben genannten Produkts. Technischer Bericht und Dokumentation stehen dem Antragsteller zur Verfügung. Hiermit wird bescheinigt, dass das geprüfte Muster allen Bestimmungen des Anhangs II der Richtlinie 2014/30/EU des Rates in der zuletzt geänderten Fassung, bezogen auf die EMV-Richtlinie, entspricht. Das Zertifikat impliziert keine Bewertung der Produktion und erlaubt keine Verwendung des Lab-Logos. Der Antragsteller des Zertifikats ist berechtigt, dieses Zertifikat im Zusammenhang mit der EU-Konformitätserklärung nach Artikel 15 der Richtlinie zu verwenden. (12) Datum (13) Zertifiziert durch: Name und Titel (14) Telefonnummer, Fax und E-Mail

CERTIFICATE

① **CERTIFICATE**
Of Conformity
Machinery Directive 2006/42/EC

② **Registration No.:** AT0117011144M

③ **Report No.:** R0117011144M

④ **Applicant** : HIOS Inc.
1-16-5 Akiyama, Matsudo City, Chiba Pref., 270-2223, Japan

⑤ **Product** : Electric Screw Driver

⑥ **Identification** ⑦ **Model No.** : BL-7000X, BL-7000, BL-7000SB

⑧ **Trade Mark** : HIOS

⑨ **Rating** : 20/30V \approx , 650mA, 20W

⑩ **Test Standards** : EN 60745-1: 2009+A11: 2010
EN 60745-2-2: 2014

⑪ The certificate of conformity is based on an evaluation of a sample of the above mentioned product. Technical report and documentation are at the applicant's disposal. This is to certify that the tested sample is in conformity with all revision of Annex I of Council Directive Machinery Directive 2006/42/EC. The certificate does not imply assessment of the series-production of the product and does not permit the use of lab's logo. The applicant of the certificate is authorized to use this certificate in connection with EC declaration of conformity.



⑫ **Jan. 20, 2017**
Date



The CE Marking may only be used if all relevant and effective EC Directives are complied with



Shenzhen Anbotek Compliance Laboratory Limited
1/F., Building 1, SEC Industrial Park, No.0409 Qianhai Road Tel: (86)755-26066544
Nanshan District, Shenzhen, Guangdong, China Fax: (86)755-26014772
[Http://www.anbotek.com](http://www.anbotek.com) Email: service@anbotek.com

⑭

**ITALIAN:**

(1) Certificato di conformità (2) Numero di registrazione (3) Numero del report (4) Richiedente (5) Prodotto: Cacciavite elettrico (6) Identificazione (7) Numero del modello (8) Marchio (9) Classificazione (10) Standard del test (11) Il certificato di conformità è basato sulla valutazione di un campione del suddetto prodotto. Relazione tecnica e documentazione sono a disposizione del richiedente. Questo documento certifica che il campione sottoposto a test è conforme a tutte le revisioni dell'Allegato I della Direttiva Macchine 2006/42/CE del Consiglio. Il certificato non implica la valutazione della produzione di serie e non consente l'uso del logo del Laboratorio. Il richiedente del certificato è autorizzato a utilizzare questo certificato in combinazione con la dichiarazione di conformità UE. (12) Data (13) Certificato da: Nome e titolo (14) Numero telefonico, fax e e-mail

CZECH:

(1) Osvědčení o shodě (2) Registrační číslo (3) Číslo zprávy (4) Žadatel (5) Výrobek: Elektrický šroubovák (6) ID (7) Číslo modelu (8) Značka (9) Hodnocení (10) Standardy zkoušení (11) Osvědčení o shodě je založeno na vyhodnocení vzorku výše uvedeného výrobku. Technická zpráva a dokumentace jsou k dispozici u žadatele. Tímto potvrzujeme, že zkoušený vzorek je v souladu se všemi revidovanými verzemi přílohy I směrnice Rady 2006/42/ES o strojních zařízeních. Osvědčení nepředstavuje posouzení sériové výroby a neumožňuje používání loga zkoušejícího. Žadatel o osvědčení je oprávněn používat toto osvědčení ve spojitosti s ES prohlášením o shodě. (12) Datum (13) Osvědčení uděleno: Jméno a titul (14) Telefonní číslo, fax a e-mail

POLISH:

(1) Certyfikat zgodności (2) Numer rejestracyjny (3) Numer raportu (4) Wnioskodawca (5) Wyrób: Wkrętak elektryczny (6) Identyfikacja (7) Numer modelu (8) Znak towarowy (9) Ocena (10) Normy badań (11) Certyfikat zgodności jest oparty na ocenie próbki wyżej wymienionego produktu. Sprawozdanie techniczne i dokumentacja są do dyspozycji wnioskodawcy. Niniejszym zaświadcza się, że badana próbka jest zgodna ze wszystkimi rewizjami załącznika I do dyrektywy maszynowej Rady 2006/42/UE. Certyfikat nie stanowi oceny produkcji seryjnej wyrobu i nie zezwala na używanie logo laboratorium. Wnioskujący o certyfikat jest upoważniony do wykorzystania tego certyfikatu w związku z deklaracją zgodności WE. (12) Data (13) Certyfikat wydany przez: Imię, nazwisko i tytuł (14) Numer telefonu, faks i adres e-mail

FRENCH:

(1) Certificat de conformité (2) Numéro d'enregistrement (3) Numéro du rapport (4) Demandeur (5) Produit : Visseuse électrique (6) Identification (7) Numéro de modèle (8) Marque (9) Classification (10) Normes d'essai (11) Le certificat de conformité est basé sur une évaluation d'un échantillon du produit susmentionné. Le rapport technique et la documentation sont à la disposition du demandeur. Ce document certifie que l'échantillon testé est conforme à l'ensemble des révisions de l'Annexe I de la Directive 2006/42/EC du Conseil relative aux machines. Le certificat n'implique aucune évaluation de la production en série du produit et ne permet pas l'utilisation du logo Lab. Le demandeur du certificat est autorisé à utiliser ce certificat dans le cadre de la déclaration de conformité CE. (12) Date (13) Certifié par : Nom et titre (14) Numéro de téléphone, fax et e-mail

SPANISH:

(1) Certificado de conformidad (2) Número de registro (3) Número de informe (4) Solicitante (5) Producto: Atornillador eléctrico (6) Identificación (7) Número de modelo (8) Marca comercial (9) Clasificación (10) Normas de prueba (11) El certificado de conformidad se basa en una evaluación de una muestra del producto mencionado anteriormente. El informe técnico y la documentación se encuentran a disposición del solicitante. Esto sirve para certificar que la muestra puesta a prueba cumple con todas las modificaciones al Anexo I de la Directiva de Máquinas de la Directiva del Consejo 2006/42/EC. El certificado no implica una evaluación de la producción en serie del producto ni permite el uso del logotipo del laboratorio. El solicitante del certificado está autorizado a usar el presente certificado en relación con la declaración de conformidad de la CE. (12) Fecha (13) Certificado por: Nombre y cargo (14) Número de teléfono, fax y correo electrónico

GERMAN:

(1) Konformitätsbescheinigung (2) Registriernummer (3) Berichtsnummer (4) Antragsteller (5) Produkt: Elektroschrauber (6) Identifizierung (7) Modellnummer (8) Eingetragenes Markenzeichen (9) Bewertung (10) Prüfnormen (11) Die Konformitätsbescheinigung basiert auf einer Bewertung einer Probe des oben genannten Produkts. Technischer Bericht und Dokumentation stehen dem Antragsteller zur Verfügung. Hiermit wird bescheinigt, dass das geprüfte Muster mit allen Änderungen des Anhangs I der Maschinenrichtlinie 2006/42/EG des Rates übereinstimmt. Das Zertifikat beinhaltet keine Beurteilung der Serienproduktion des Produkts und erlaubt nicht die Verwendung des Lab-Logos. Der Antragsteller des Zertifikats ist berechtigt, dieses Zertifikat in Verbindung mit der EG-Konformitätserklärung zu verwenden. (12) Datum (13) Zertifiziert durch: Name und Titel (14) Telefonnummer, Fax und E-Mail



HIOS Inc.

1-16-5, AKIYAMA, MATSUDO-CITY
CHIBA PREF., JAPAN 270-2223
TEL. : +81 473 92 2001
FAX. : +81 473 92 7773

① **EU DECLARATION OF CONFORMITY**

② 2018/11/20

③ We, HIOS Inc.
1-16-5, AKIYAMA, MATSUDO-CITY
CHIBA PREF., JAPAN 270-2223

Note: Address number was changed from 111-6 to 1-16-5 by Matsudo-city on Jan.27 2017

④ declare under our sole responsibility that
the product

⑤ Product Name: Electric screwdriver

⑥ Model series: BLG-4000, BLG-4000BC1, BLG-4000BC2 and BLG-4000ZERO1 series
BLG-5000, BLG-5000BC1, BLG-5000BC2 and BLG-5000ZERO1 series
BL-2000, BL-5000, BL-5020 and BL-7000 series
CL-2000, CL-7000NL and CL-9000NL series, SS-2000 and SS-7000 series

⑦ Note: Individual Model is followed by - after name of series.

⑧ to which this declaration is in conformity

with the following standard(s)

EN 60745-1:2009+A11:2010
EN 60745-2-2:2010
EN 61000-3-2:2014
EN 61000-3-3:2013
EN 61000-6-2:2005

⑨ following the provisions of Directive(s)
2006/42/EC, 2014/30/EU

⑩ 
Kazuo Sugimoto

Adviser
Overseas Sales.
HIOS Inc.

ITALIAN:

(1) Dichiarazione di conformità UE (2) Data (3) Noi (4) dichiariamo sotto la nostra responsabilità che il prodotto (5) Nome del prodotto: Cacciavite elettrico (6) Serie modello (7) Nota: Ogni modello è seguito da - dopo il nome della serie (8) per cui viene emessa tale dichiarazione è in conformità ai seguenti standard (9) secondo le disposizioni delle direttive (10) Nome e titolo

CZECH:

(1) Prohlášení o shodě EU (2) Datum (3) Naše společnost (4) na vlastní odpovědnost prohlašuje, že výrobek (5) Název výrobku: Elektrický šroubovák (6) Model série: (7) Poznámka: Po konkrétním modelu je uveden název série (8) je v souladu s těmito standardy (9) splňujícími ustanovení normy: (10) Jméno a titul

POLISH:

(1) Deklaracja zgodności UE (2) Data (3) Oświadczamy (4) na naszą wyłączną odpowiedzialność, że wyrób, (5) Nazwa wyrobu: Wkrętak elektryczny (6) Model seria (7) Uwaga: Po nazwie serii a przed oznaczeniem modelu występuje znak „-” (8) dla którego niniejsza deklaracja pozostaje w zgodzie z poniższą(-ymi) normą(-ami) (9) zgodnie z przepisami dyrektyw(y) (10) Nazwa i tytuł

FRENCH:

(1) Déclaration de conformité UE (2) Date (3) Nous (4) déclarons sous notre seule responsabilité que le produit (5) Nom du produit : Visseuse électrique (6) Série du modèle (7) Remarque : Le modèle individuel est suivi d'un tiret – après le nom de la série (8) concerné par la présente déclaration est conforme à la ou aux normes suivantes (9) suivant les dispositions de la ou des Directive(s) (10) Nom et titre

SPANISH:

(1) Declaración de conformidad de la UE (2) Fecha (3) Nosotros (4) declaramos bajo nuestra entera responsabilidad que el producto (5) Nombre del producto: Atornillador eléctrico (6) Modelo/Serie (7) Nota: El modelo individual aparece seguido de – luego del nombre de la serie (8) mencionado en esta declaración está en conformidad con la(s) siguiente(s) norma(s) (9) de acuerdo con las disposiciones de (las) Directiva(s) (10) Nombre y cargo

GERMAN:

(1) EU-Konformitätserklärung (2) Datum (3) Wir (4) erklären unter unserer alleinigen Verantwortung, dass das Produkt (5) Produktname: Elektroschrauber (6) Modellreihe (7) Hinweis: Auf das Einzelmodell folgt - nach dem Namen der Serie (8) mit denen diese Erklärung mit der folgenden Norm(en) übereinstimmt (9) nach den Bestimmungen der Richtlinie(n) (10) Name und Titel